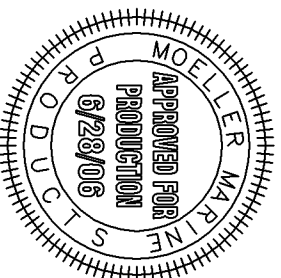
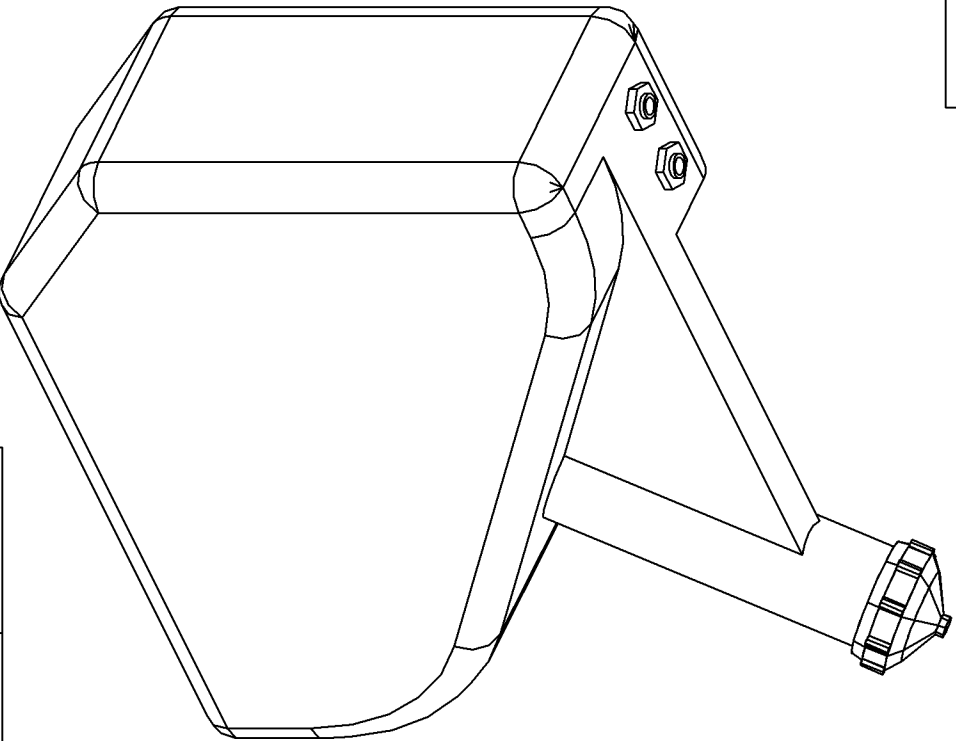


# BILL of MATERIALS

Qty.	DESCRIPTION
1	2.25" KELCH W/ .18" GAUGE & 16.00" TWIST (LABELED "FUEL")
1	1/4 NPT INSERT W/ PLUG
2	1/8 NPT INSERTS W/ PLUGS
	OVERALL HEIGHT 15.85"

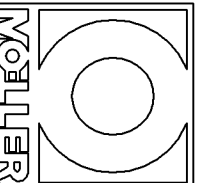
NO.	REVISION	DATE
1	REMOVE 1/4" INSERT, ADD (2) 1/8" INSERTS, ANGLE FILL & EXTEND RIB, REPLACE 3/4 FITTING W/ 1/4.	8/13/03
2	REPLACE SENDER LABELED "DIESEL" W/ SENDER LABELED "FUEL"	6/26/06



NOTE: ALL EDGES R0.38  
UNLESS OTHERWISE NOTED

PAGE 1 OF 4

THIS DRAWING AND THE ATTACHED DRAWINGS (AND THE DATA SHOWN THEREON) IS CONFIDENTIAL AND PROPRIETARY AND SHALL NOT BE USED, DISCLOSED TO OTHERS, REPRODUCED FOR ANY PURPOSE EXCEPT FOR QUOTATION TO OR ORDER BY MOELLER MARINE PRODUCTS, INC. AND/OR ITS SUBSIDIARIES WITHOUT THEIR WRITTEN CONSENT TO THE USE OF SUCH DRAWINGS AND/OR DATA.



DESCRIPTION	4.33 GALLON DIESEL FUEL TANK		
PART #	ID0200	COLOR	BLACK
MATERIAL	CROSSLINK POLYETHYLENE		
TOLERANCES	±1.5% UNLESS OTHERWISE NOTED		
WALL THK.	0.150"	NOMINAL	DATE
DRAWN BY	MOELLER ENGINEERING		

