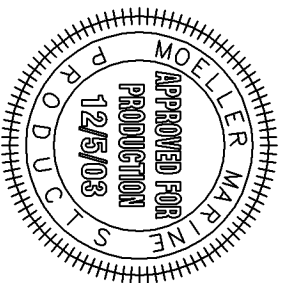
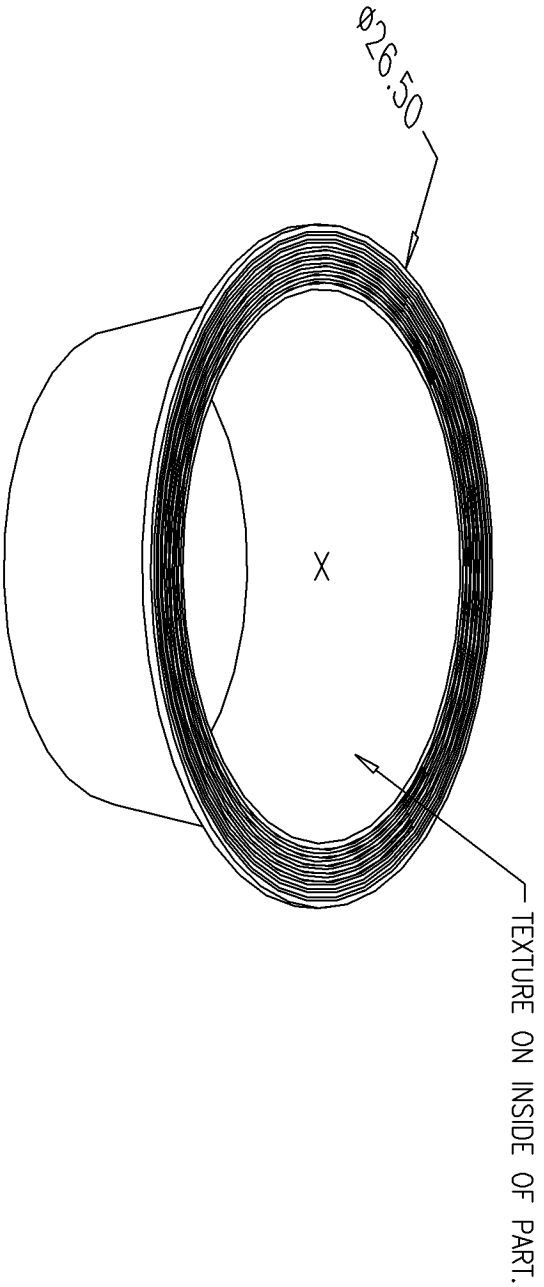


BILL of MATERIALS

| Qty. | DESCRIPTION |
|------|----------------------|
| 1 | Ø2.00 DRILLED HOLE |
| 4 | Ø0.38 DRILLED HOLES |
| | OVERALL HEIGHT 8.94" |

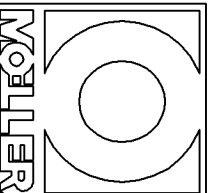
| NO. | REVISION | DATE |
|-----|---|----------|
| 1 | RETOOL TO ADD TEXTURE INSIDE OF TUB, & AND RIBS | 11/18/03 |



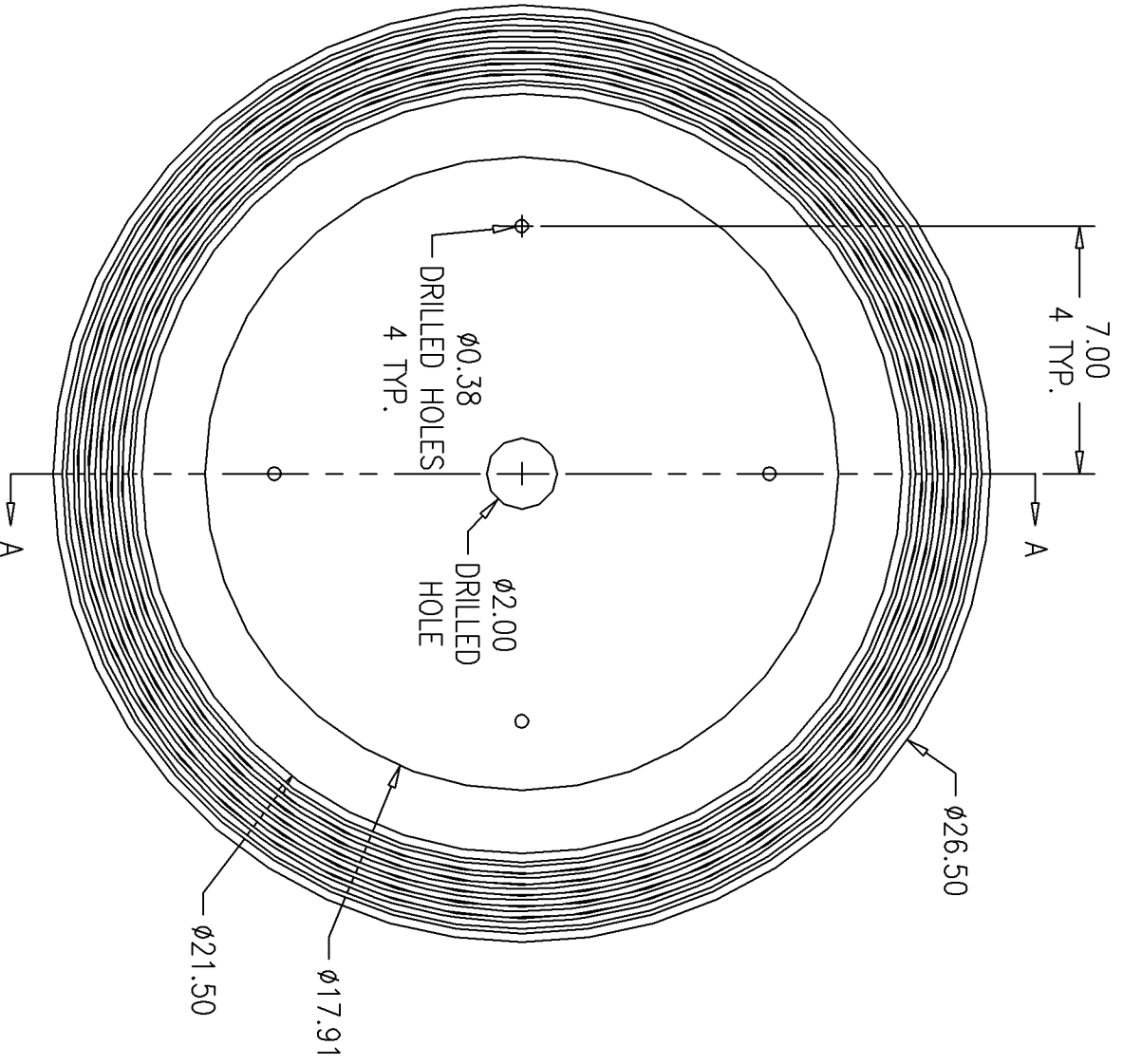
NOTE: ALL EDGES R0.38
UNLESS OTHERWISE NOTED

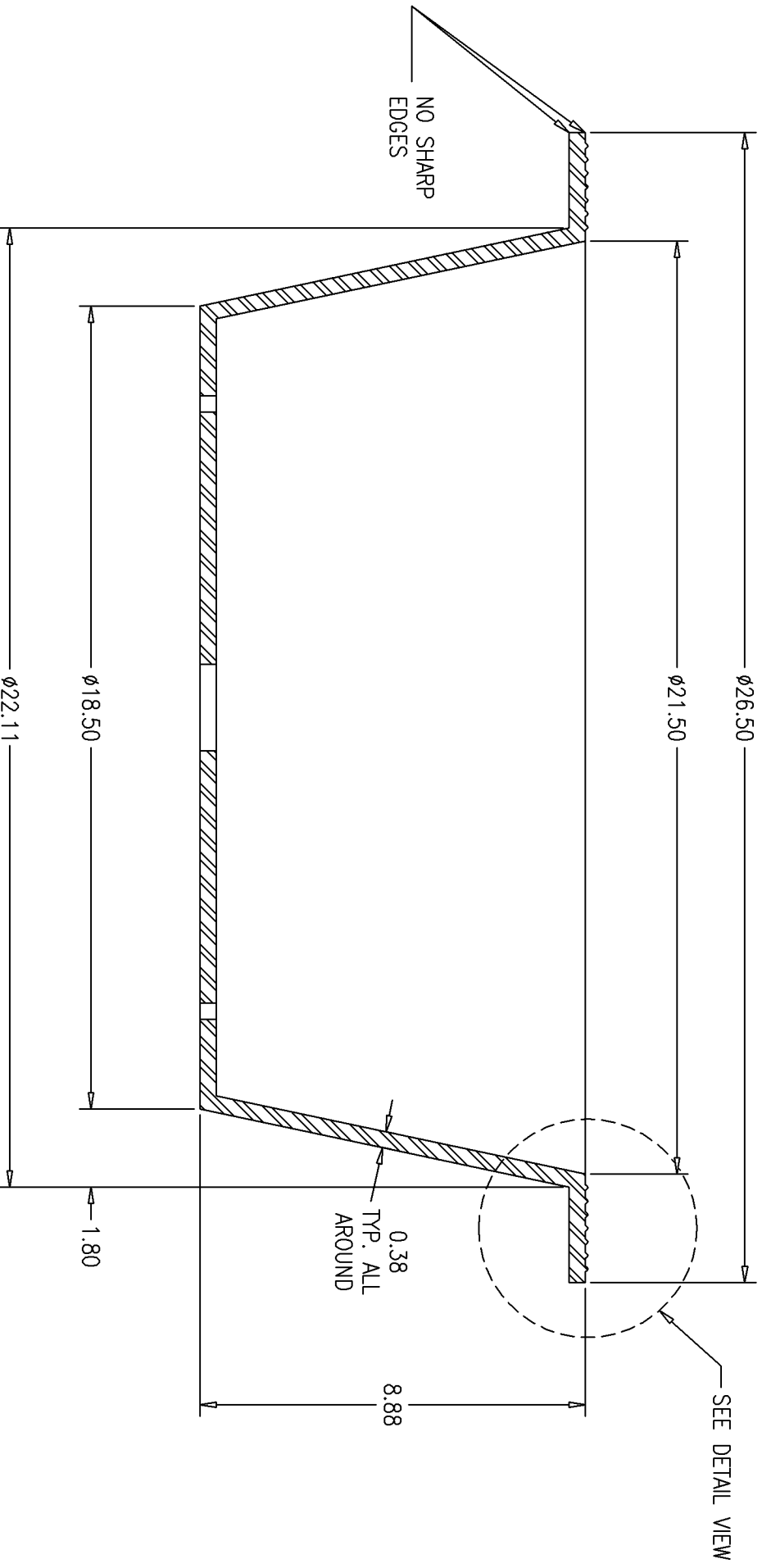
PAGE 1 OF 4

THIS DRAWING AND THE ATTACHED DRAWINGS (AND THE DATA SHOWN THEREON) IS CONFIDENTIAL AND PROPRIETARY AND SHALL NOT BE USED, DISCLOSED TO OTHERS, REPRODUCED FOR ANY PURPOSE EXCEPT FOR QUOTATION TO OR ORDER BY MOELLER MARINE PRODUCTS, INC. AND/OR ITS SUBSIDIARIES WITHOUT THEIR WRITTEN CONSENT TO THE USE OF SUCH DRAWINGS AND/OR DATA.



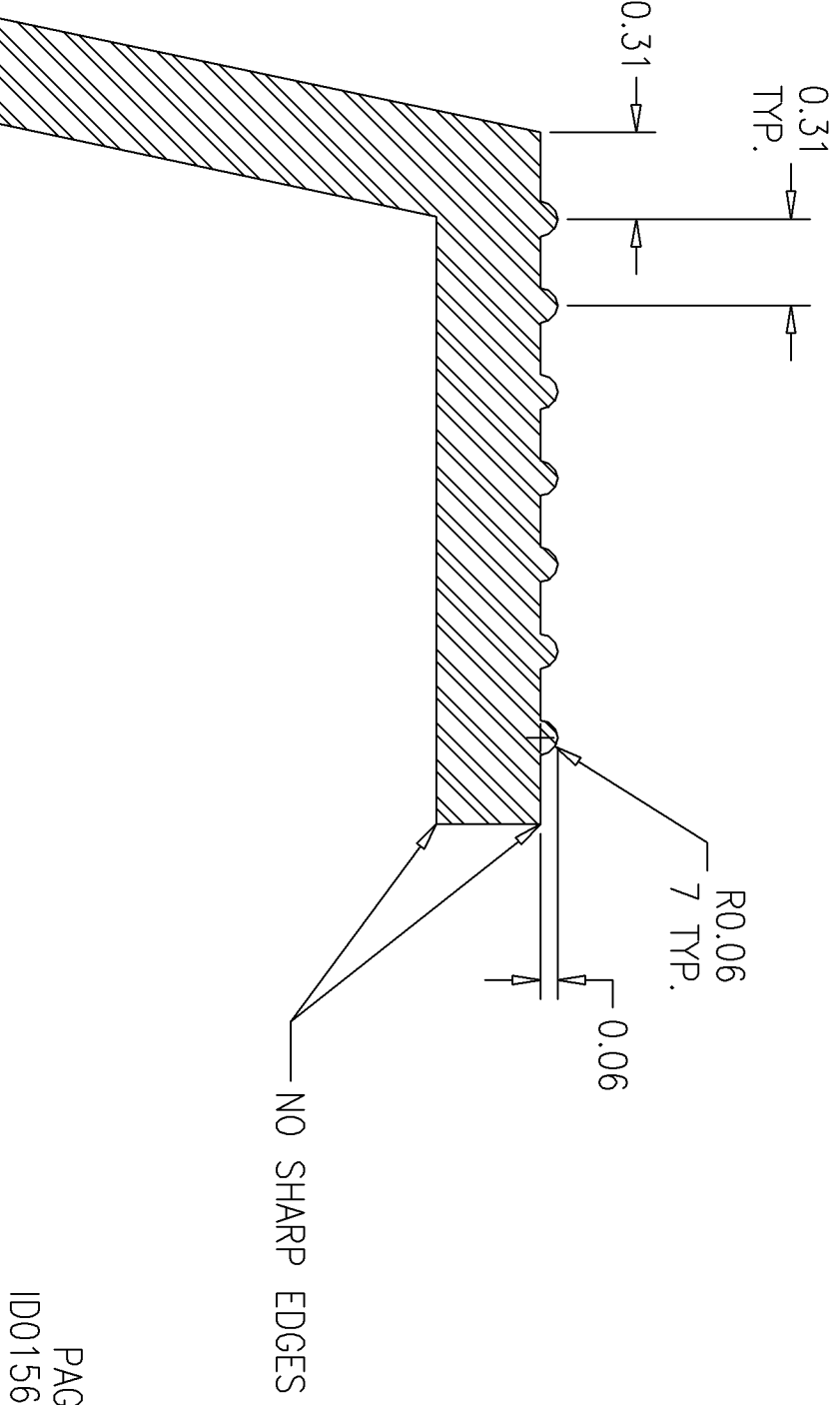
| DESCRIPTION | MEG TUB |
|-------------|------------------------------|
| PART # | ID0156 |
| MATERIAL | CROSSLINK POLYETHYLENE |
| TOLERANCES | ±1.5% UNLESS OTHERWISE NOTED |
| WALL THK. | 0.375" NOMINAL |
| DRAWN BY | MOELLER ENGINEERING |
| COLOR | BLACK |
| DATE | 11/18/03 |





SECTION A-A VIEW
11/18/03

PAGE 3
ID0156-R1



DETAIL VIEW
11/18/03

PAGE 4
ID0156-R1