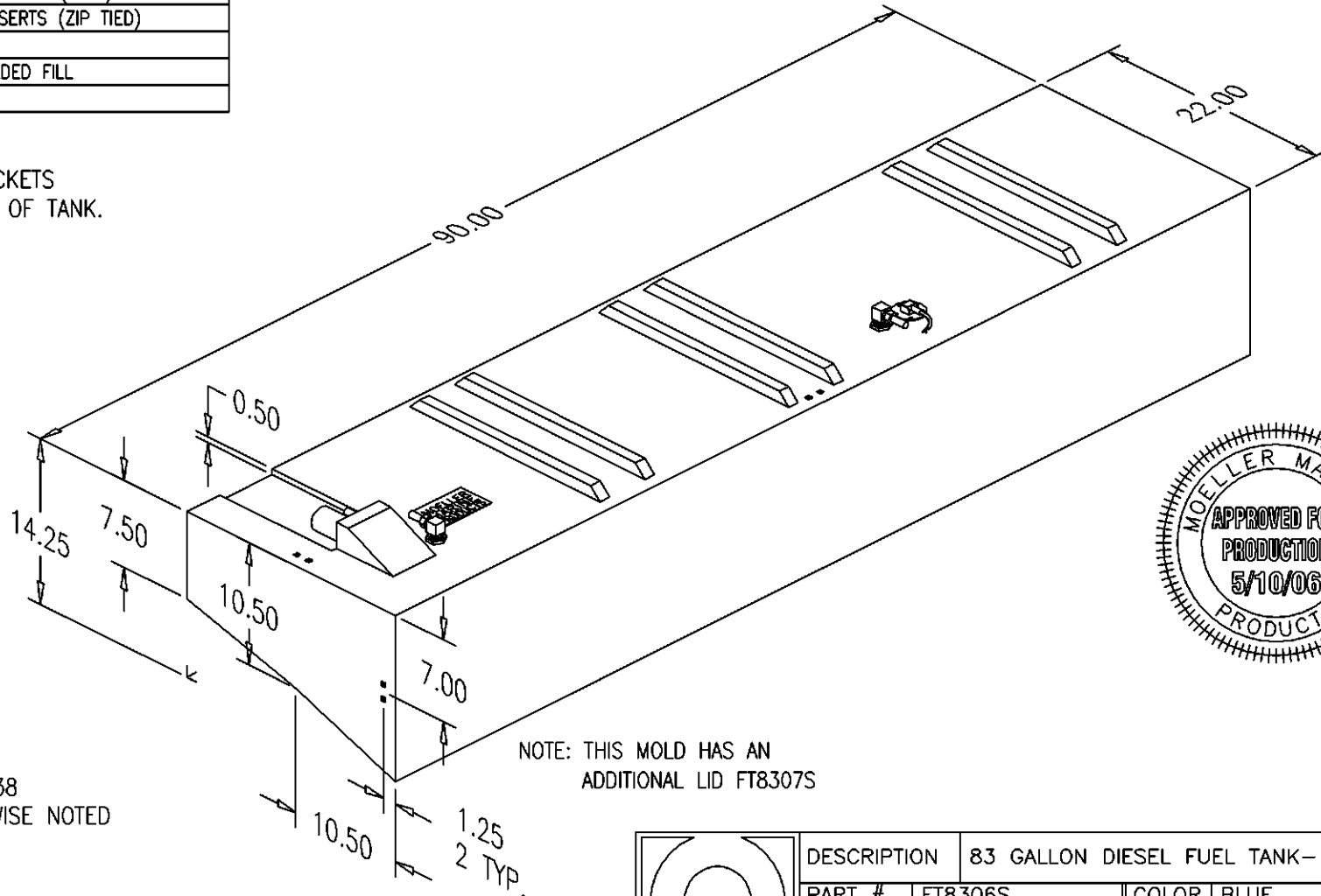


BILL of MATERIALS

Qty.	DESCRIPTION
1	11.50" SS WEMA SENDER W/ TERMINALS
1	1/2 NPT PICKUP W/ 1/2" BARB
1	1/2 NPT RETURN W/ 3/8" BARB Red
1	3/8 NPT INSERT W/ 5/8" BARB (VENT)
3	LARGE L-BRACKETS W/ INSERTS (ZIP TIED)
2	10-24 ALUM. INSERTS
	Ø2.00" X 2.75" LONG MOLDED FILL
	OVERALL HEIGHT = 16.50"

NO.	REVISION	DATE

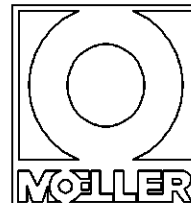
NOTE: ZIP TIE BRACKETS
TO THE TOP OF TANK.



NOTE: ALL EDGES R0.38
UNLESS OTHERWISE NOTED

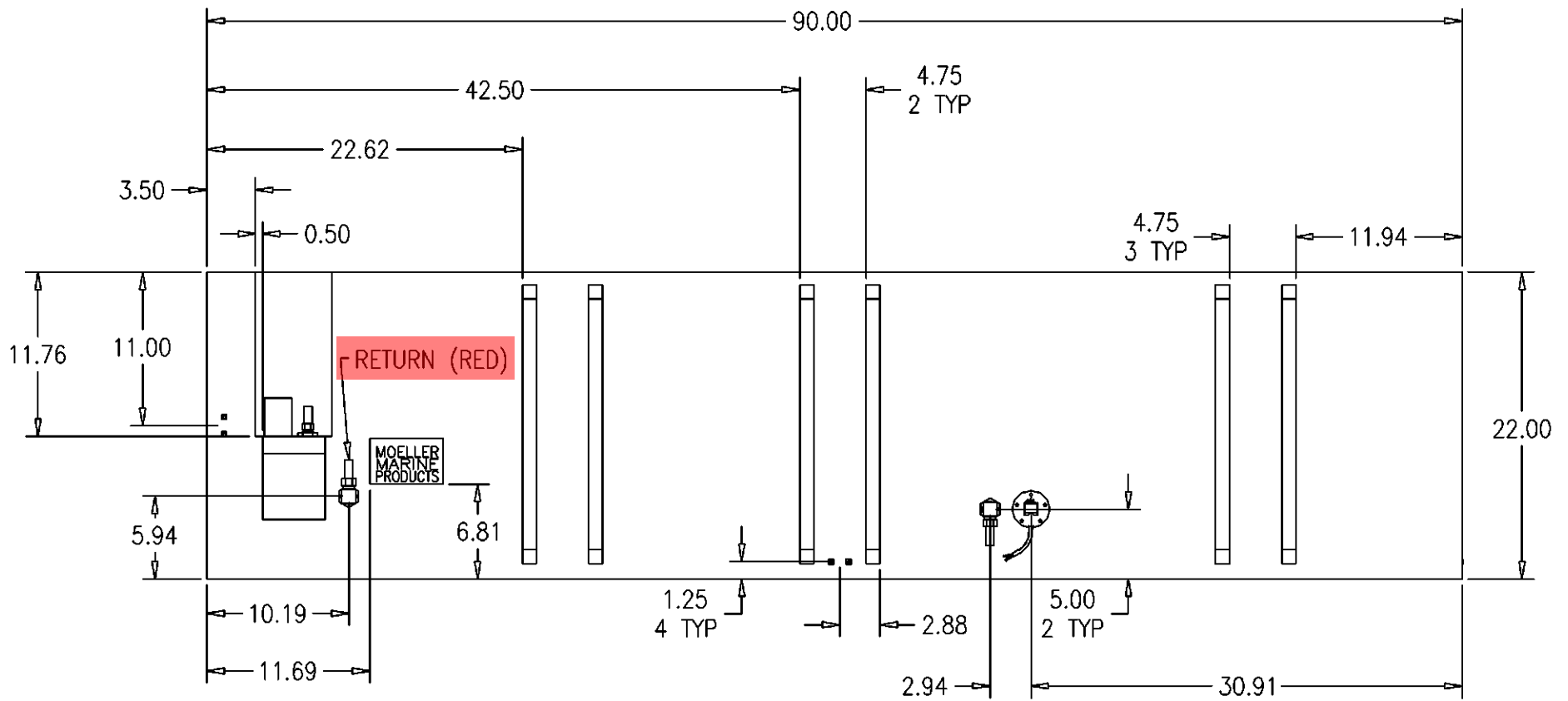
PAGE 1 OF 3

NOTE: THIS MOLD HAS AN
ADDITIONAL LID FT8307S

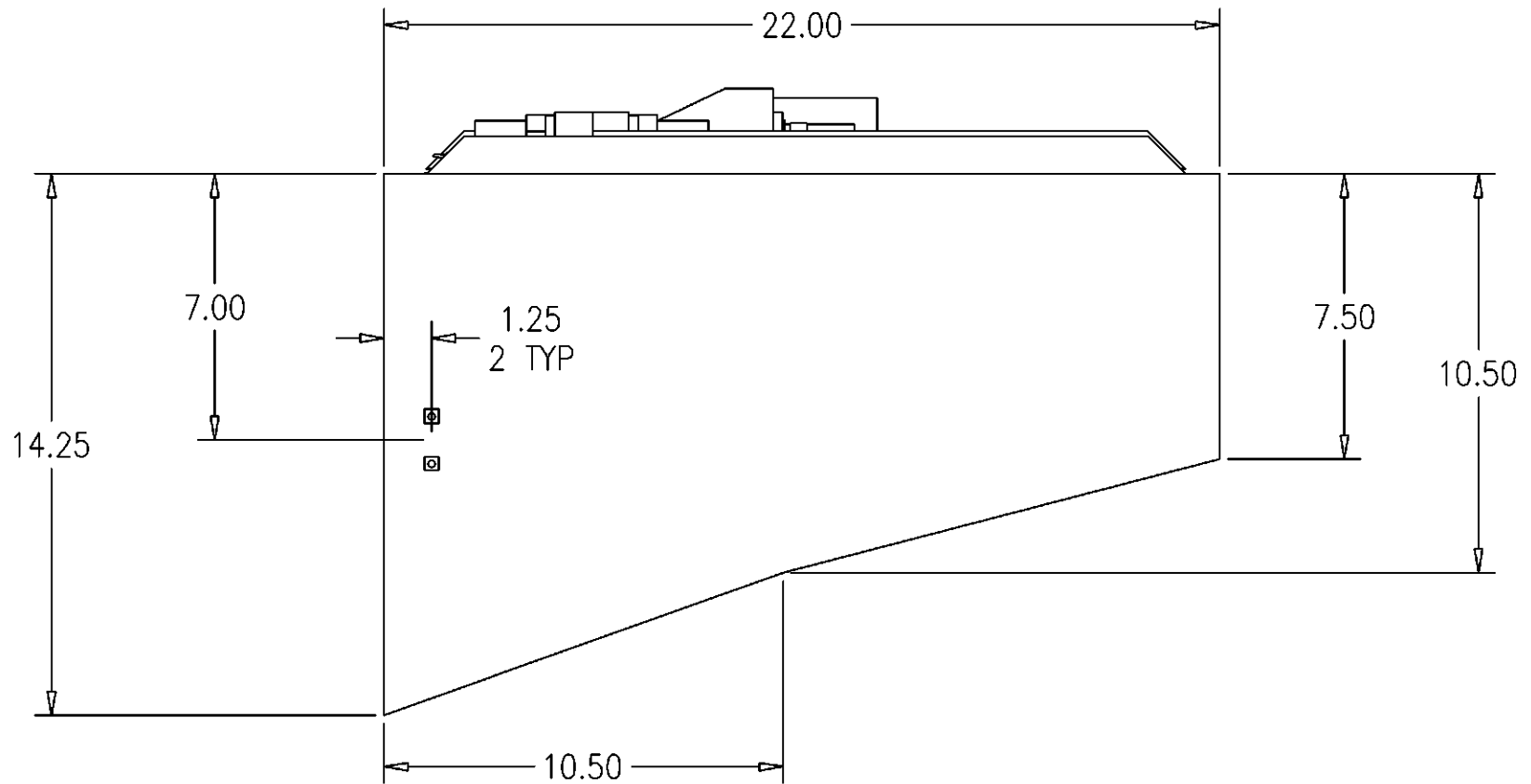


DESCRIPTION	83 GALLON DIESEL FUEL TANK- PORT		
PART #	FT8306S	COLOR	BLUE
MATERIAL	CROSSLINK POLYETHYLENE		
TOLERANCES	±1.5% UNLESS OTHERWISE NOTED		
WALL THK.	0.250" NOMINAL	DATE	5/10/06
DRAWN BY	MOELLER ENGINEERING		

THIS DRAWING AND THE ATTACHED DRAWINGS (AND THE DATA SHOWN THEREON) IS CONFIDENTIAL AND PROPRIETARY AND SHALL NOT BE USED, DISCLOSED TO OTHERS, REPRODUCED FOR ANY PURPOSE EXCEPT FOR QUOTATION TO OR ORDER BY MOELLER MARINE PRODUCTS, INC. AND/OR ITS SUBSIDIARIES WITHOUT THEIR WRITTEN CONSENT TO THE USE OF SUCH DRAWINGS AND/OR DATA.



NOTE: DOGHOUSE IS 5.98 LONG, 4.50 WIDE, 2.25 TALL, & HAS A 1.25 TOP FLAT.
 RECESS IN FRONT OF DOGHOUSE IS 5.50 WIDE & 0.50 DEEP.
 RIBS ARE 1.00 WIDE, 1.00 TALL, 1.00 FROM EDGE OF TANK, & BEVELED 45° AT ENDS.



NOTE: INSERT LOCATIONS ARE TYP. FOR LEFT SIDE.