

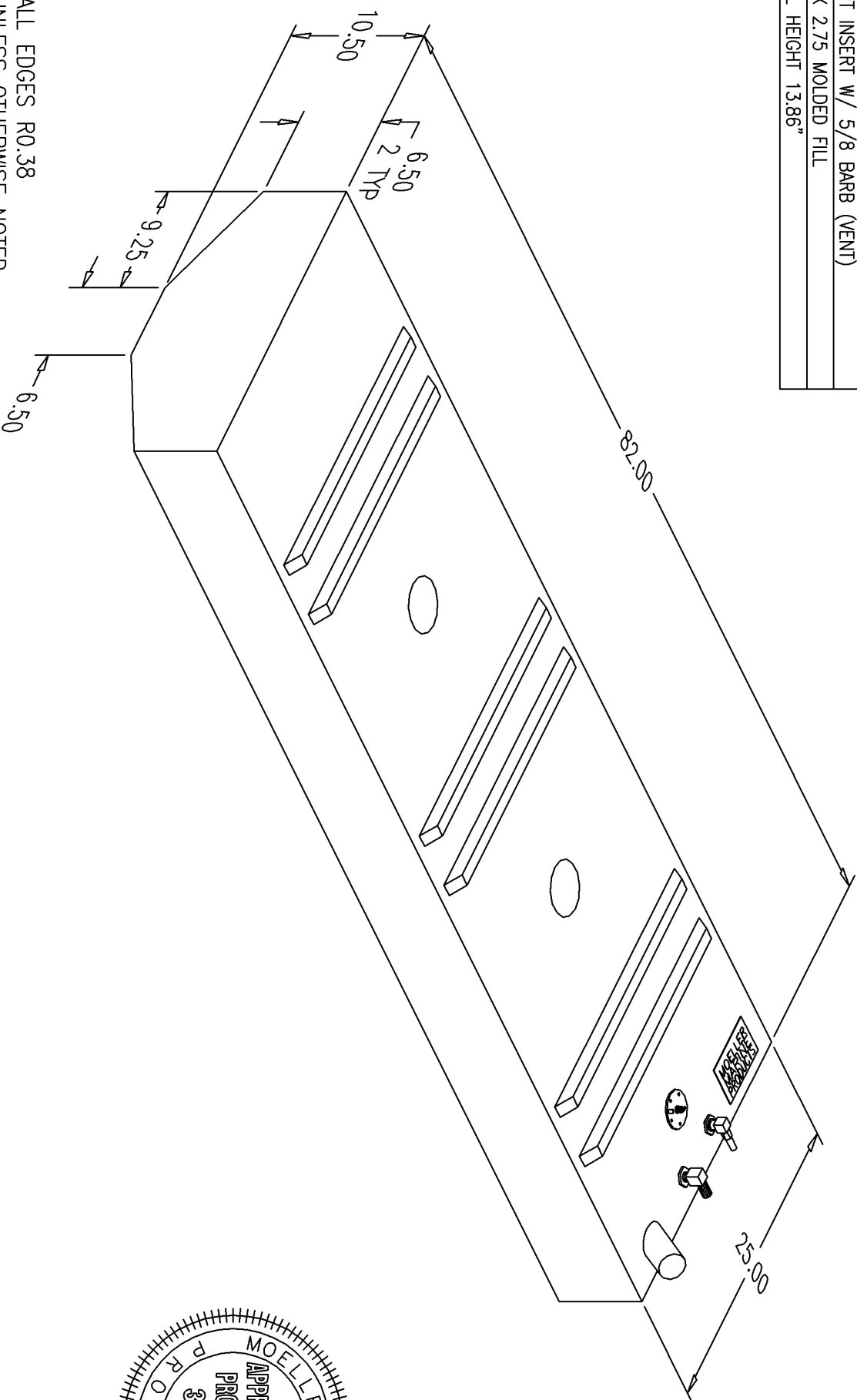
# BILL of MATERIALS

Qty.	DESCRIPTION
1	ROCHESTER ECONOMY SENDER
1	3/8 NPT PICKUP W/ 3/8 ASV CAL TO 15
1	3/8 NPT INSERT W/ 5/8 BARB (VENT)
	Ø2.00 X 2.75 MOLDED FILL
	OVERALL HEIGHT 13.86"

NO.

REVISION

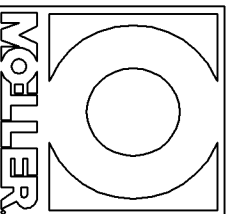
DATE



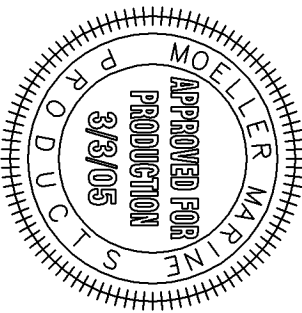
NOTE: ALL EDGES R0.38  
UNLESS OTHERWISE NOTED

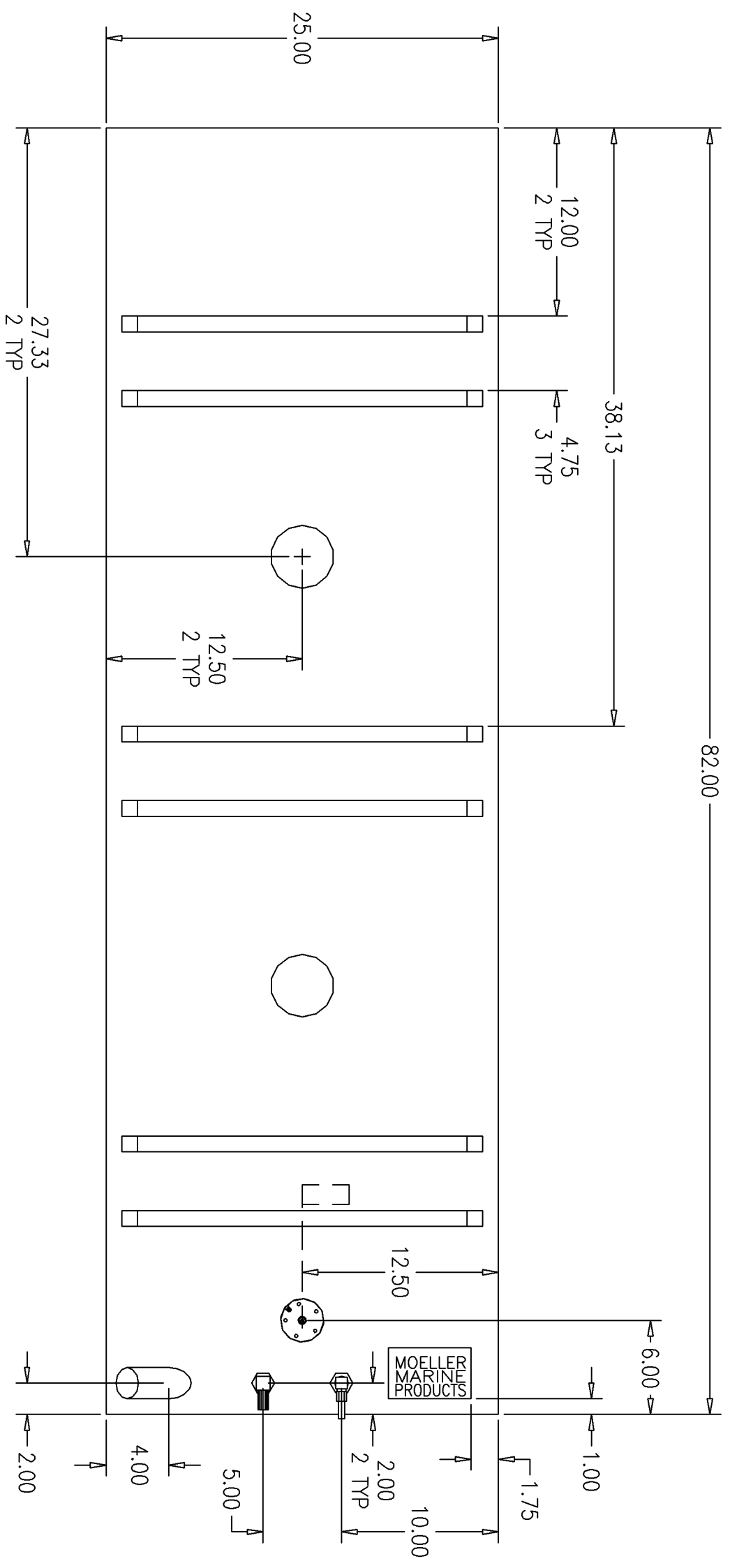
PAGE 1 OF 3

THIS DRAWING AND THE ATTACHED DRAWINGS (AND THE DATA SHOWN THEREON) IS CONFIDENTIAL AND PROPRIETARY AND SHALL NOT BE USED, DISCLOSED TO OTHERS, REPRODUCED FOR ANY PURPOSE EXCEPT FOR QUOTATION TO OR ORDER BY MOELLER MARINE PRODUCTS, INC. AND/OR ITS SUBSIDIARIES WITHOUT THEIR WRITTEN CONSENT TO THE USE OF SUCH DRAWINGS AND/OR DATA.



DESCRIPTION	72 GALLON FUEL TANK		
PART #	FT7205	COLOR	NATURAL
MATERIAL	CROSSLINK POLYETHYLENE		
TOLERANCES	±1.5% UNLESS OTHERWISE NOTED		
WALL THK.	0.235" NOMINAL		
DRAWN BY	MOELLER ENGINEERING		
	DATE	3/3/05	





NOTE: FILL IS Ø2.00, ANGLED 45°, & 2.75 LONG ON SHORT SIDE.  
RIBS ARE 1.00 WIDE, 1.00 TALL, 1.00 FROM EDGE OF TANK, & BEVELED 45° AT ENDS.  
CONES ARE Ø4.00 AT TOP & Ø5.00 AT BOTTOM.

