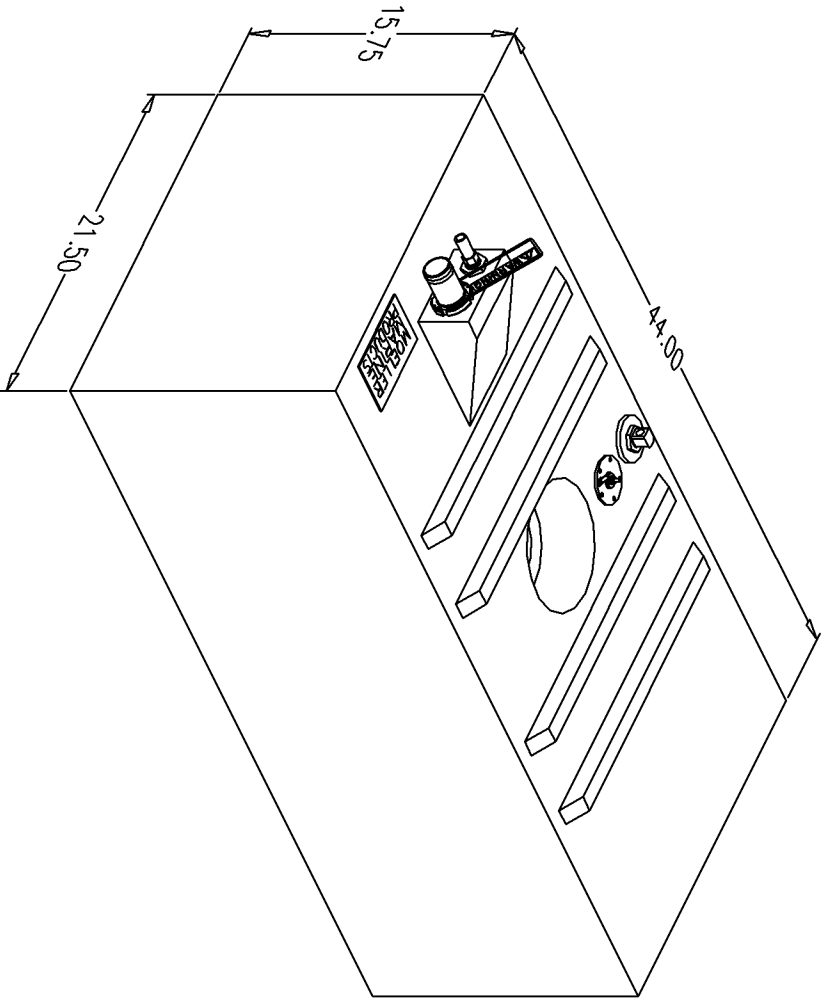


BILL of MATERIALS

Qty.	DESCRIPTION
1	PRIME SENDING UNIT 15.28"
1	ALUM. PL3 PICKUP W/ OUT BARB
1	3/8 NPT INSERT W/ 5/8" BARB (VENT)
	Ø1.50" ALUMINIUM FILL W/ GROUND TAG
	OVERALL HEIGHT 18.75"

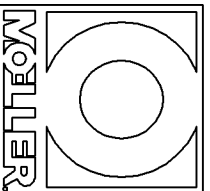
NO.	REVISION	DATE
1	ADD Ø2.50" BOSS & GROUND TAG	9/21/05



NOTE: ALL EDGES R0.38
UNLESS OTHERWISE NOTED

PAGE 1 OF 3

THIS DRAWING AND THE ATTACHED DRAWINGS (AND THE DATA SHOWN THEREON) IS CONFIDENTIAL AND PROPRIETARY AND SHALL NOT BE USED, DISCLOSED TO OTHERS, REPRODUCED FOR ANY PURPOSE EXCEPT FOR QUOTATION TO OR ORDER BY MOELLER MARINE PRODUCTS, INC. AND/OR ITS SUBSIDIARIES WITHOUT THEIR WRITTEN CONSENT TO THE USE OF SUCH DRAWINGS AND/OR DATA.



DESCRIPTION	58 GALLON FUEL TANK (032558)		
PART #	FT5899	COLOR	NATURAL
MATERIAL	CROSSLINK POLYETHYLENE		
TOLERANCES	±1.5% UNLESS OTHERWISE NOTED		
WALL THK.	0.235" NOMINAL		
DRAWN BY	MOELLER ENGINEERING	DATE	11/18/05

