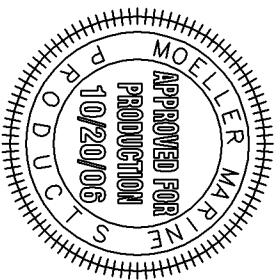
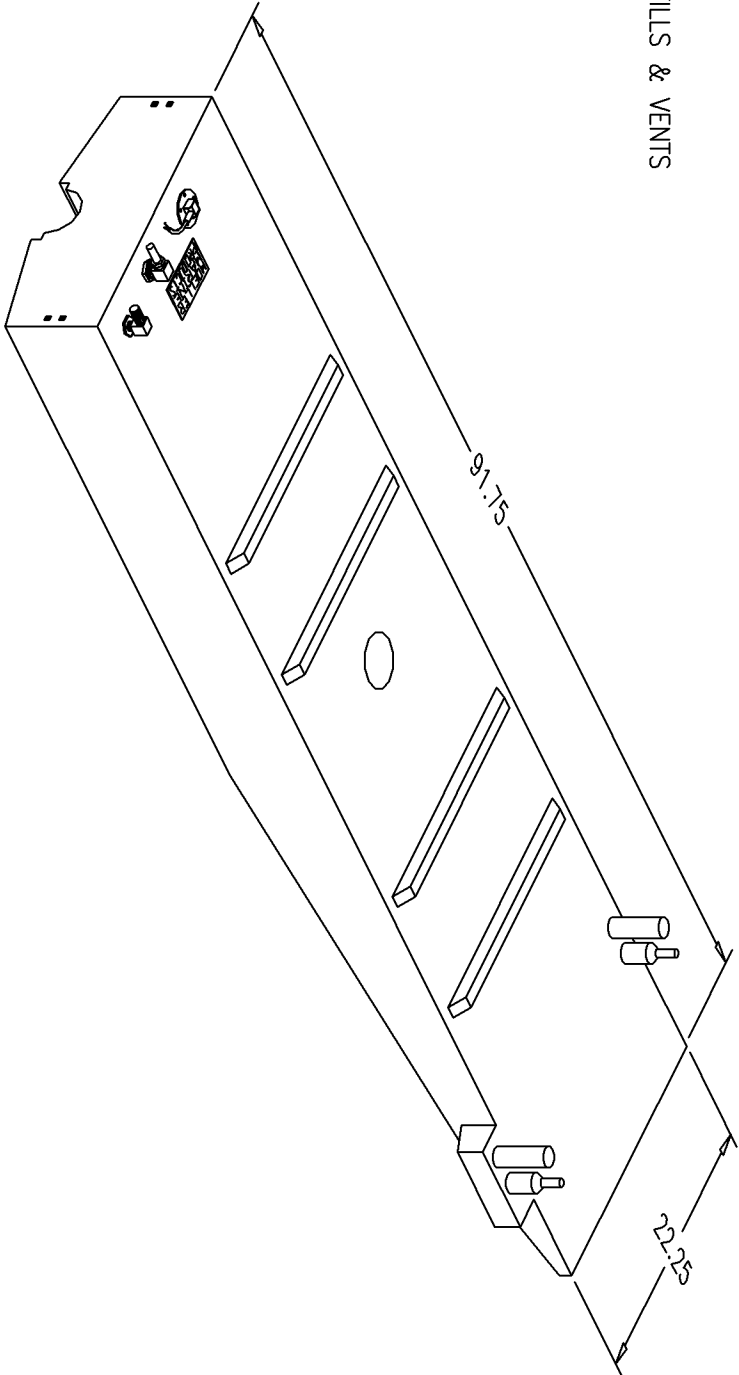


BILL of MATERIALS

Qty.	DESCRIPTION
1	7.00" SS WEMA SENDER
1	1/2 PICKUP W/ 1/2 ASV
4	10-24 INSERTS
1	VENT W/ 5/8" BARB
2	MOLDED FILL AND VENT
	OVERALL HEIGHT 12.75"

NO.	REVISION	DATE
1	REPLACE ROCHESTER SENDER WITH SS WEMA.	8/14/06

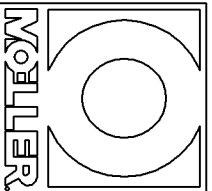
NOTE: DRILL BOTH FILLS & VENTS



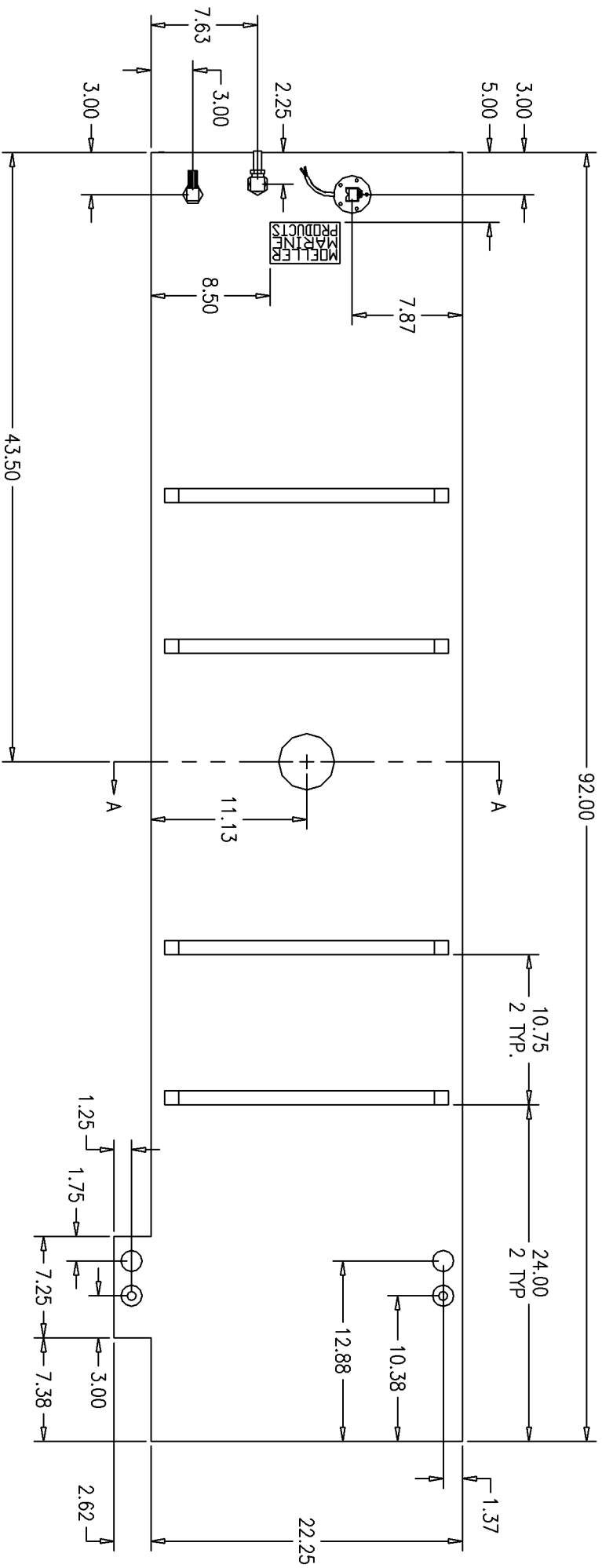
NOTE: ALL EDGES R0.38
UNLESS OTHERWISE NOTED

PAGE 1 OF 6

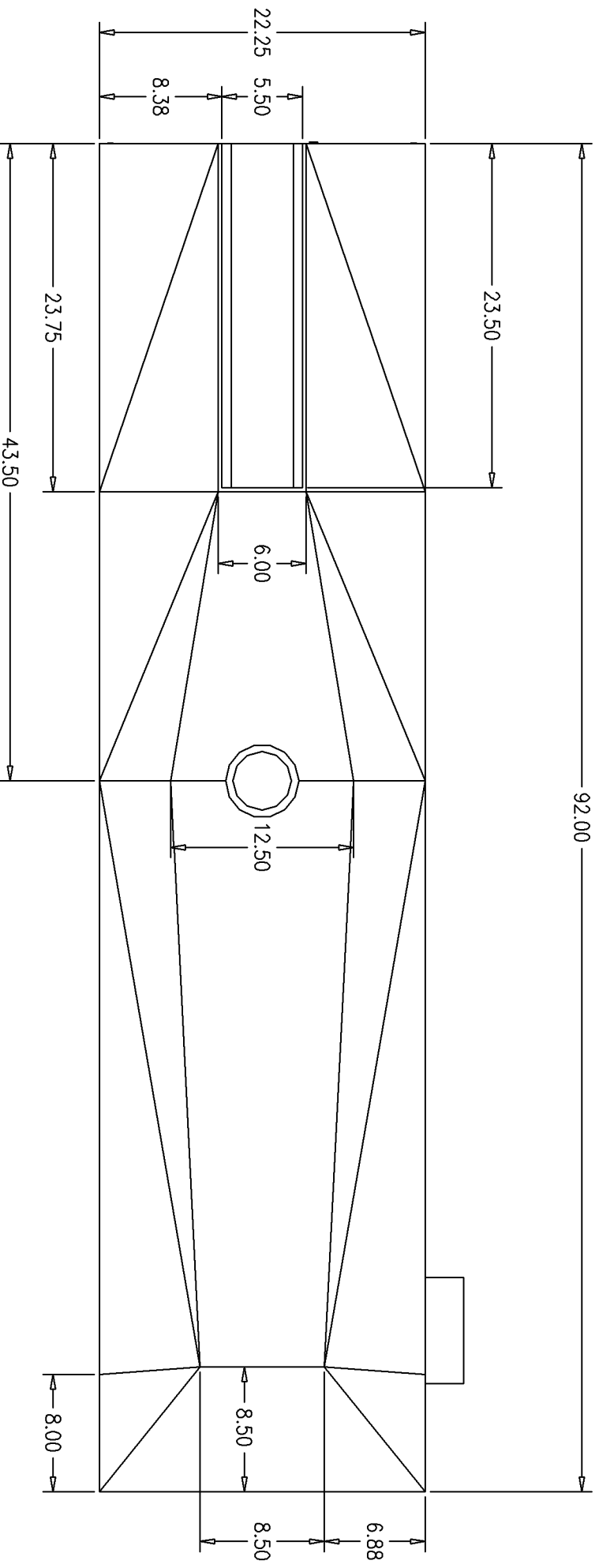
THIS DRAWING AND THE ATTACHED DRAWINGS (AND THE DATA SHOWN THEREON) IS CONFIDENTIAL AND PROPRIETARY AND SHALL NOT BE USED, DISCLOSED TO OTHERS, REPRODUCED FOR ANY PURPOSE EXCEPT FOR QUOTATION TO OR ORDER BY MOELLER MARINE PRODUCTS, INC. AND/OR ITS SUBSIDIARIES WITHOUT THEIR WRITTEN CONSENT TO THE USE OF SUCH DRAWINGS AND/OR DATA.

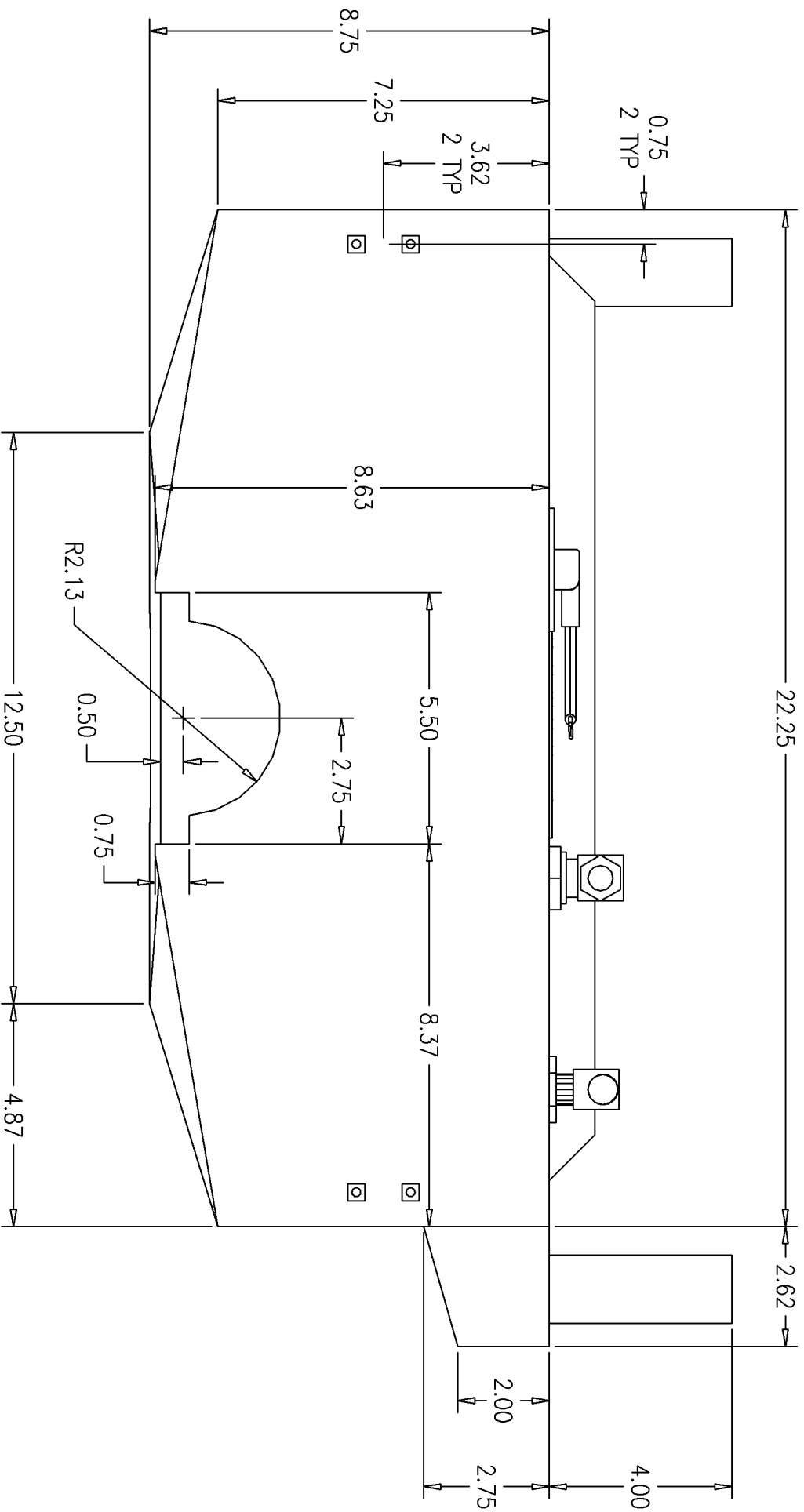


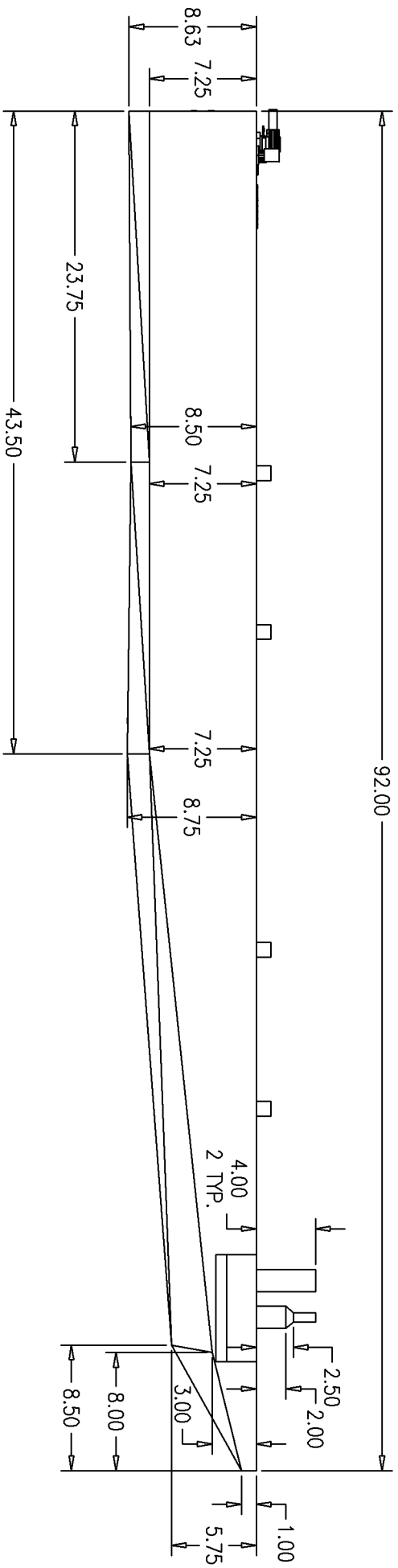
DESCRIPTION	55 GALLON FUEL TANK		
PART #	FT5521-1	COLOR	NATURAL
MATERIAL	CROSSLINK POLYETHYLENE		
TOLERANCES	±1.5% UNLESS OTHERWISE NOTED		
WALL THK.	0.235" NOMINAL	DATE	8/14/06
DRAWN BY	MOELLER ENGINEERING		

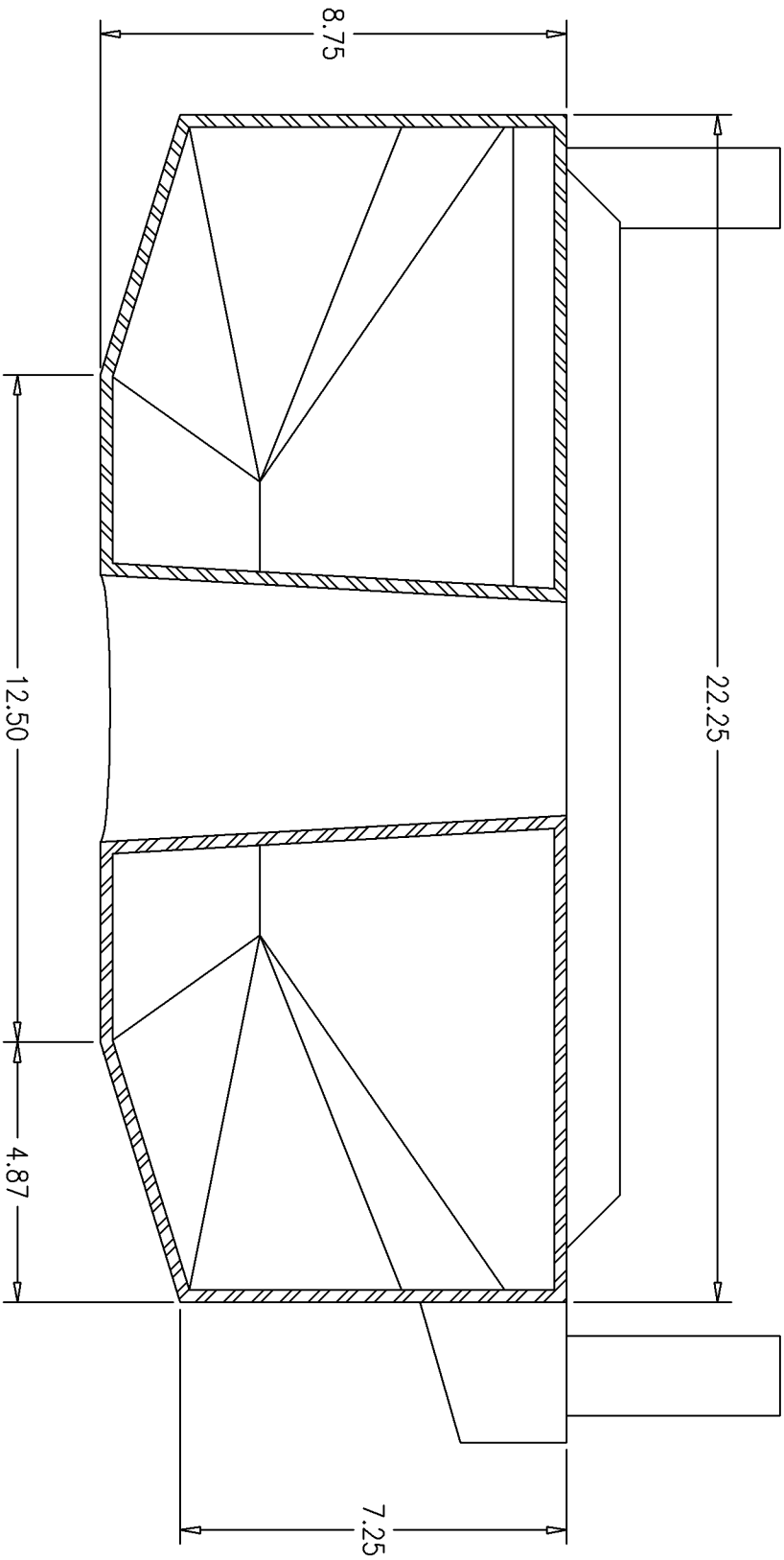


NOTE: FILLS ARE $\phi 1.50$ X 4.00 LONG.
 VENTS ARE $\phi 0.63$ X 1.50 AT BARBED END. BASE OF VENTS ARE $\phi 1.50$ X 2.50.
 CONE IS $\phi 4.00$ AT TOP AND $\phi 5.00$ AT BOTTOM.
 RIBS ARE 1.00 WIDE, 1.00 TALL, 1.00 FROM EDGE, AND BEVELED 45°.









SECTION A-A VIEW
8/14/06

PAGE 6
FT5521-1-R1