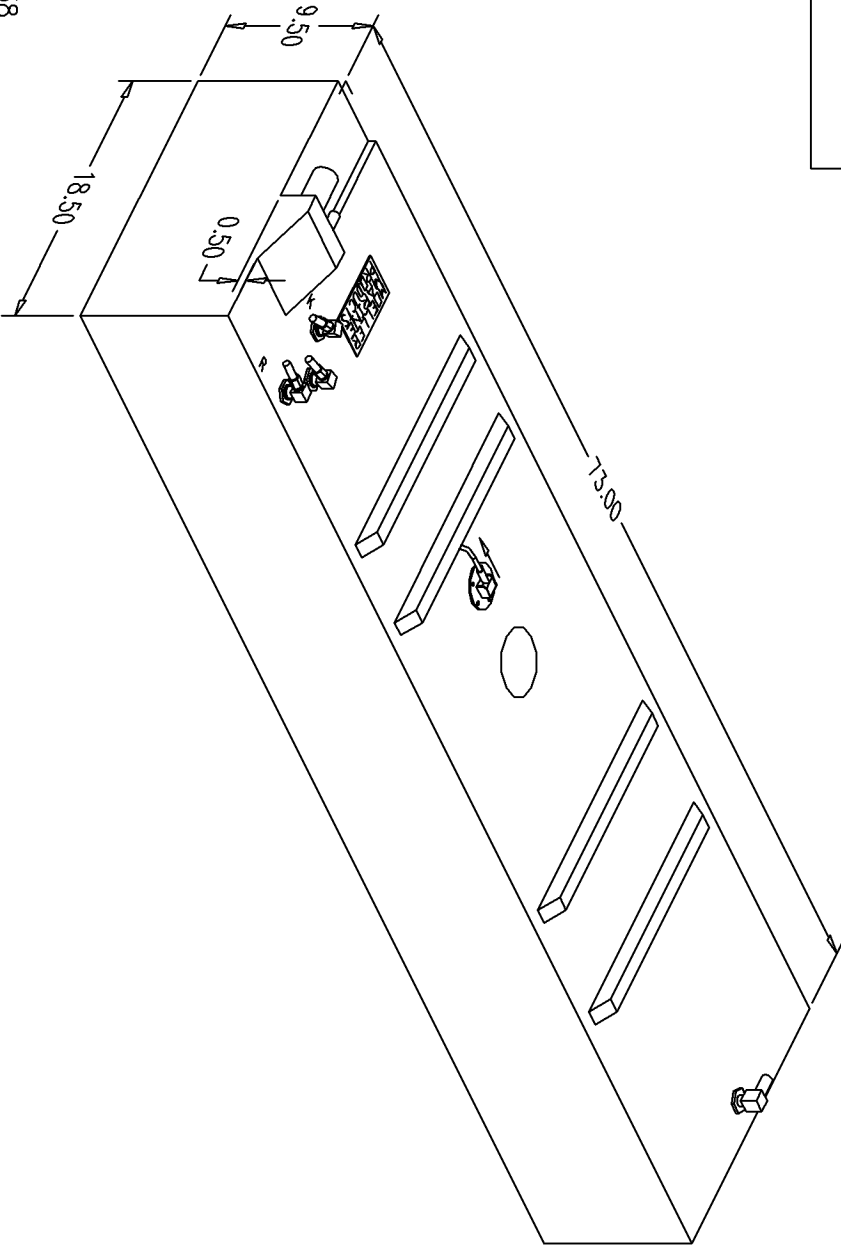


BILL of MATERIALS

Qty.	DESCRIPTION
1	8.50" SS WEMA SENDER W/ TERMINALS
1	PICKUP W/ 3/8" BARB (6.87")
1	RESERVE PICKUP W/ 3/8" BARB (8.81")
1	KICKER PICKUP W/ 3/8" BARB (8.81")
1	VENT W/ 5/8" BARB
1	3/8 INSERT W/ 5/8 BARB (VENT)
	MOLDED FILL
	OVERALL HEIGHT 10.50"

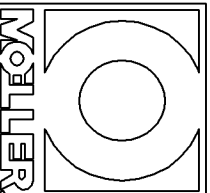
NO.	REVISION	DATE
1	ADD TERMINALS & REPLACE WEMA WITH SS WEMA	10/25/02
2	CHANGE MAIN & KICKER PICKUP TUBE LENGTHS.	1/23/03
3	REPLACED MOLDED VENT W/ INSERT W/ BARB	2/18/04



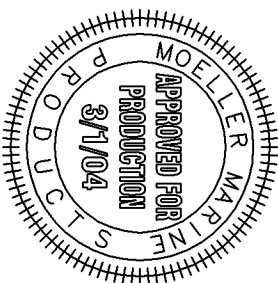
NOTE: ALL EDGES R0.38
UNLESS OTHERWISE NOTED

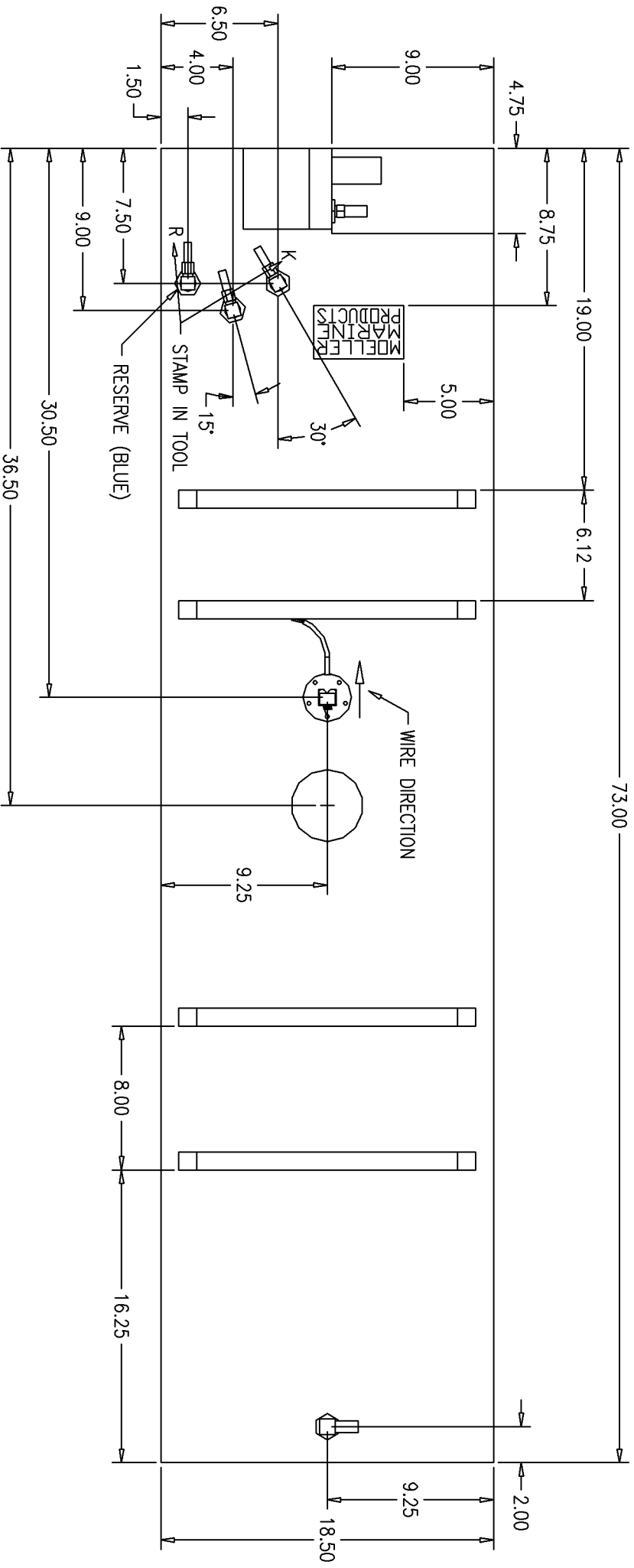
PAGE 1 OF 2

THIS DRAWING AND THE ATTACHED DRAWINGS (AND THE DATA SHOWN THEREON) IS CONFIDENTIAL AND PROPRIETARY AND SHALL NOT BE USED, DISCLOSED TO OTHERS, REPRODUCED FOR ANY PURPOSE EXCEPT FOR QUOTATION TO OR ORDER BY MOELLER MARINE PRODUCTS, INC. AND/OR IT'S SUBSIDIARIES WITHOUT THEIR WRITTEN CONSENT TO THE USE OF SUCH DRAWINGS AND/OR DATA.



DESCRIPTION	50 GALLON FUEL TANK		
PART #	FT5037	COLOR	NATURAL
MATERIAL	CROSSLINK POLYETHYLENE		
TOLERANCES	±1.5% UNLESS OTHERWISE NOTED		
WALL THK.	0.235" NOMINAL	DATE	2/18/04
DRAWN BY	MOELLER ENGINEERING		





NOTE: DOGHOUSE IS 4.92 LONG, 4.50 WIDE, 1.75 TALL, AND HAS A 1.25 TOP FLAT.
 RECESS IN FRONT OF DOGHOUSE IS 0.50 DEEP.
 RIBS ARE 1.00 WIDE, 1.00 TALL, 1.00 FROM EDGE, AND BEVELED 45° AT ENDS.
 CONE IS Ø4.00 AT TOP AND 5.00 AT BOTTOM.