

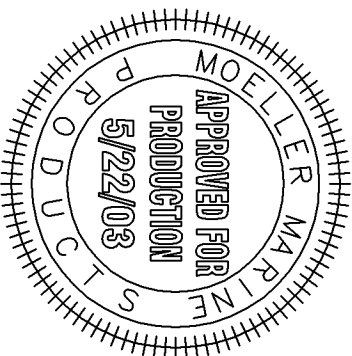
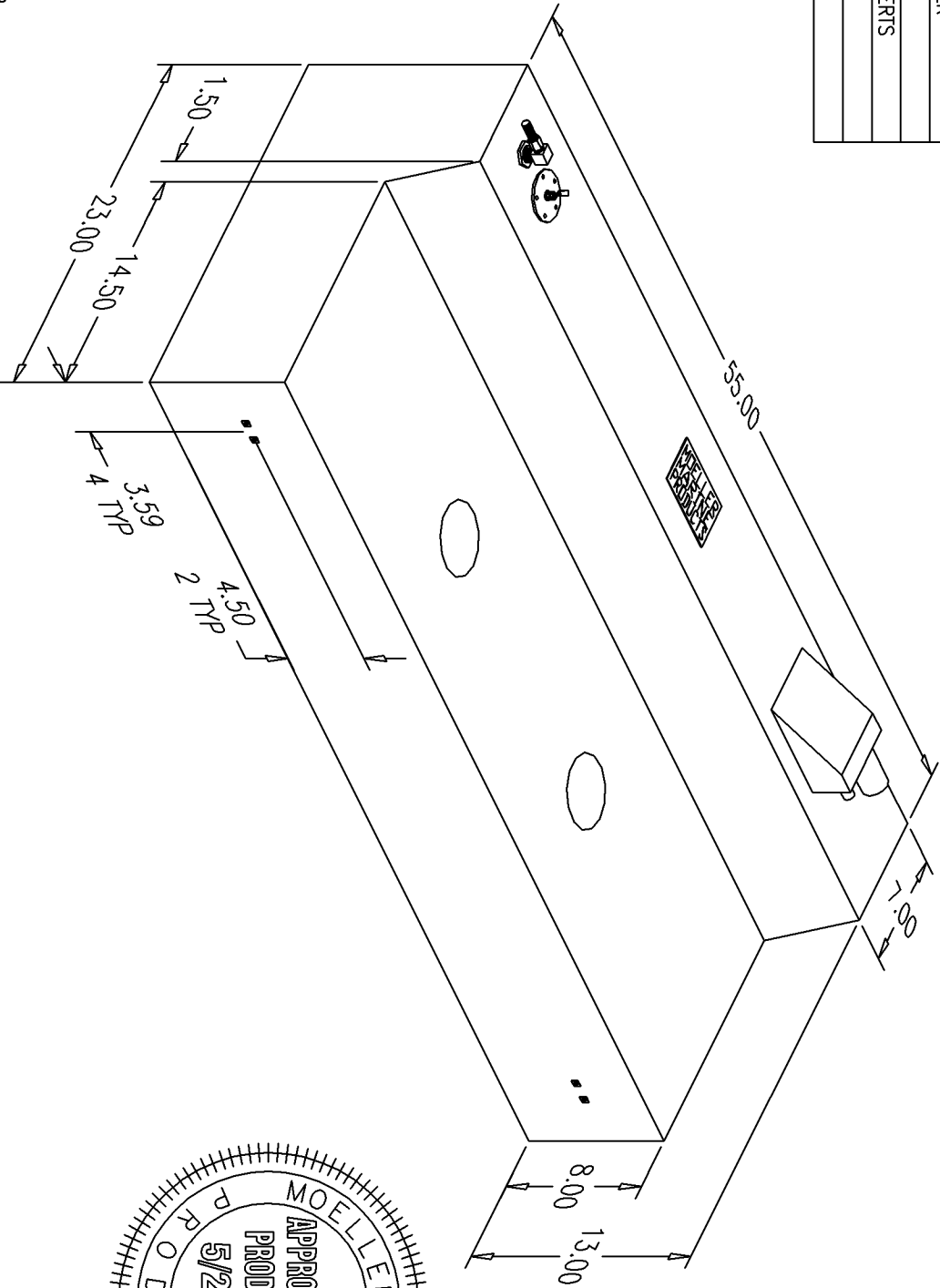
BILL of MATERIALS

Qty.	DESCRIPTION
1	ROCHESTER ECONOMY SENDER
1	PICKUP W/ 3/8" BARB
4	LARGE L-BRACKETS W/ INSERTS
	MOLDED FIL AND VENT
	OVERALL HEIGHT 15.25"

NO.

REVISION

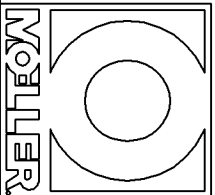
DATE



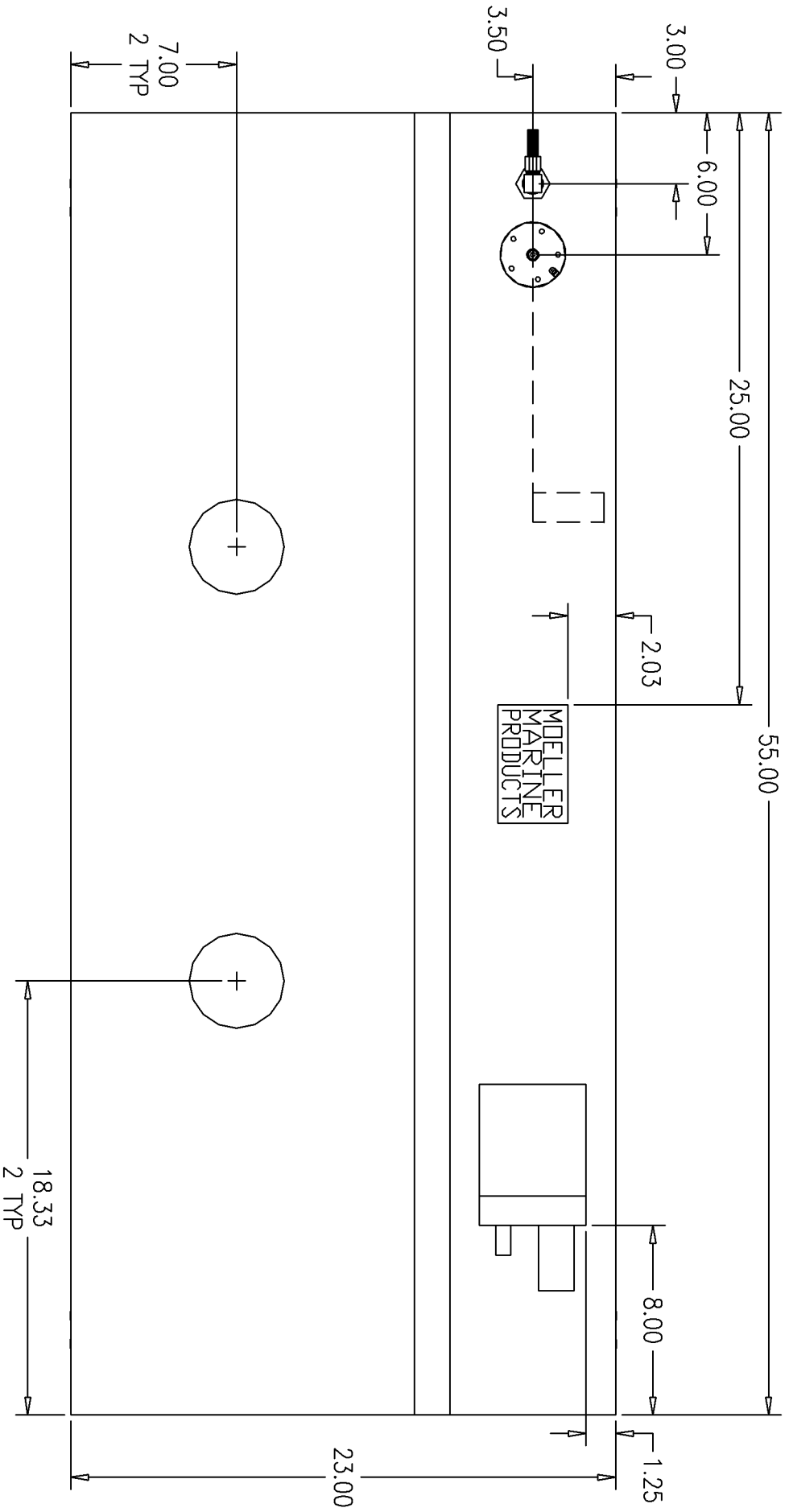
NOTE: ALL EDGES R0.38
UNLESS OTHERWISE NOTED

PAGE 1 OF 4

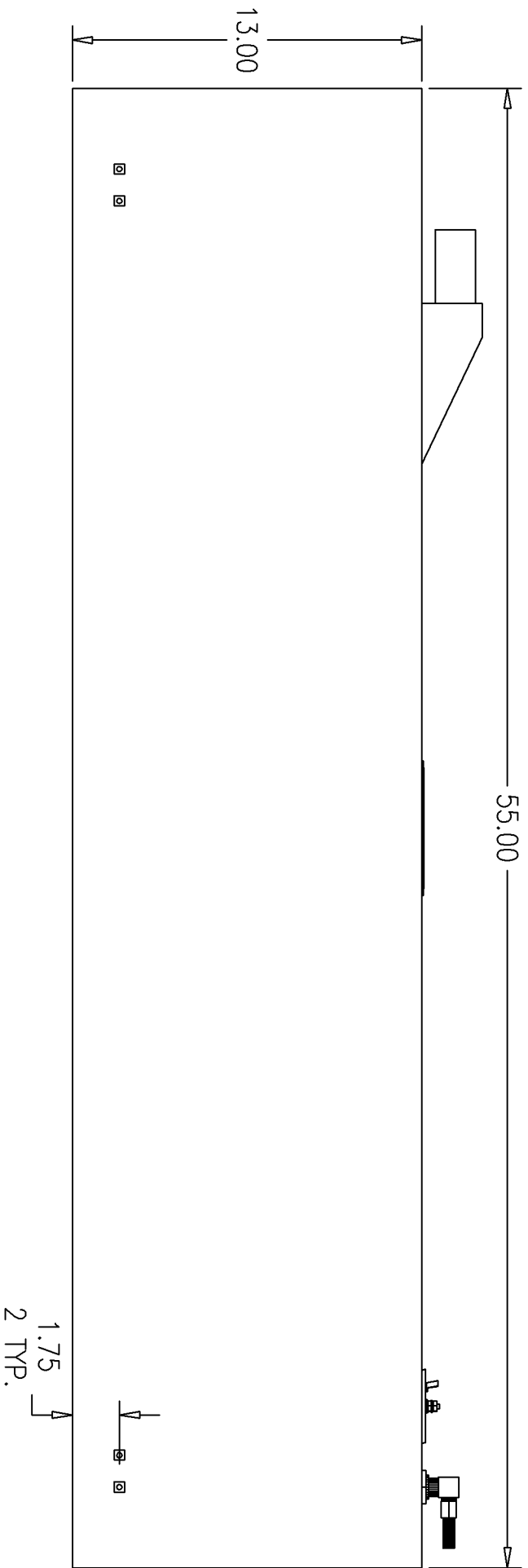
THIS DRAWING AND THE ATTACHED DRAWINGS (AND THE DATA SHOWN THEREON) IS CONFIDENTIAL AND PROPRIETARY AND SHALL NOT BE USED, DISCLOSED TO OTHERS, REPRODUCED FOR ANY PURPOSE EXCEPT FOR QUOTATION TO OR ORDER BY MOELLER MARINE PRODUCTS, INC. AND/OR ITS SUBSIDIARIES WITHOUT THEIR WRITTEN CONSENT TO THE USE OF SUCH DRAWINGS AND/OR DATA.



DESCRIPTION	47 GALLON FUEL TANK		
PART #	FT4711	COLOR	NATURAL
MATERIAL	CROSSLINK POLYETHYLENE		
TOLERANCES	±1.5% UNLESS OTHERWISE NOTED		
WALL THK.	0.220	DATE	12/06/99
DRAWN BY	MOELLER ENGINEERING		



NOTE: CONES ARE 4.00" AT TOP AND 5.00" AT BOTTOM.
 DOGHOUSE IS 5.98" LONG, 4.50" WIDE, AND 2.25"
 TALL W/ A 1.25" TOP FLAT.



BACK VIEW
12/6/99

PAGE 3
FT4711

