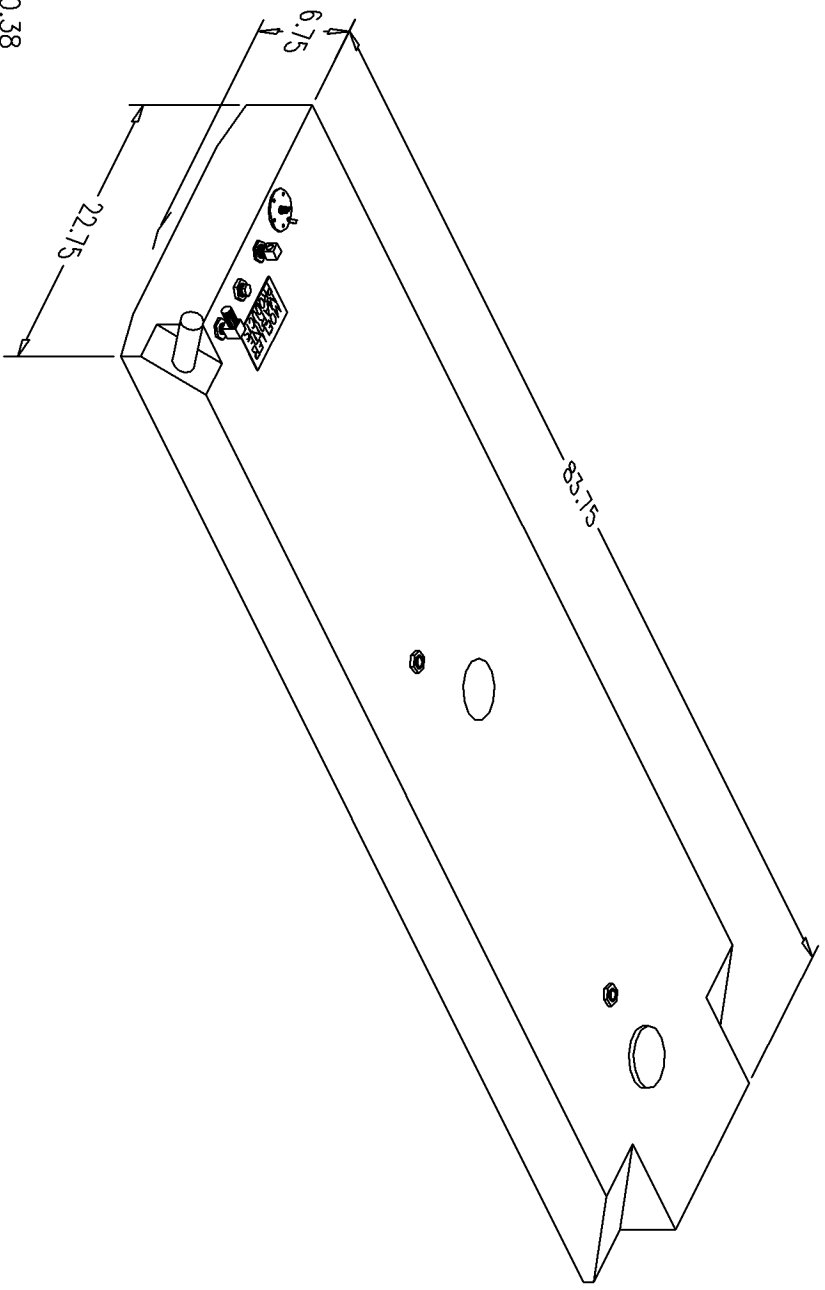


BILL of MATERIALS

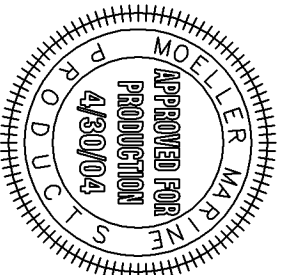
| Qty. | DESCRIPTION |
|------|-----------------------------------|
| 1 | ROCHESTER ECONOMY SENDER |
| 1 | PICKUP w/O BARB |
| 1 | 3/8 NPT INSERT w/ PLUG |
| 1 | 73.00" INTERNAL VENT w/ 5/8" BARB |
| 1 | Ø1.50" X 4.50" MOLDED FILL |
| | OVERALL HEIGHT 7.99" |

| NO. | REVISION | DATE |
|-----|--|---------|
| 1 | REPLACE MOLED VENTS w/ 73" INTERNAL VENT, REPLACE (1) PICKUP w/ PLUG, & INTERNAL REMOVE RIBS. | 4/28/04 |

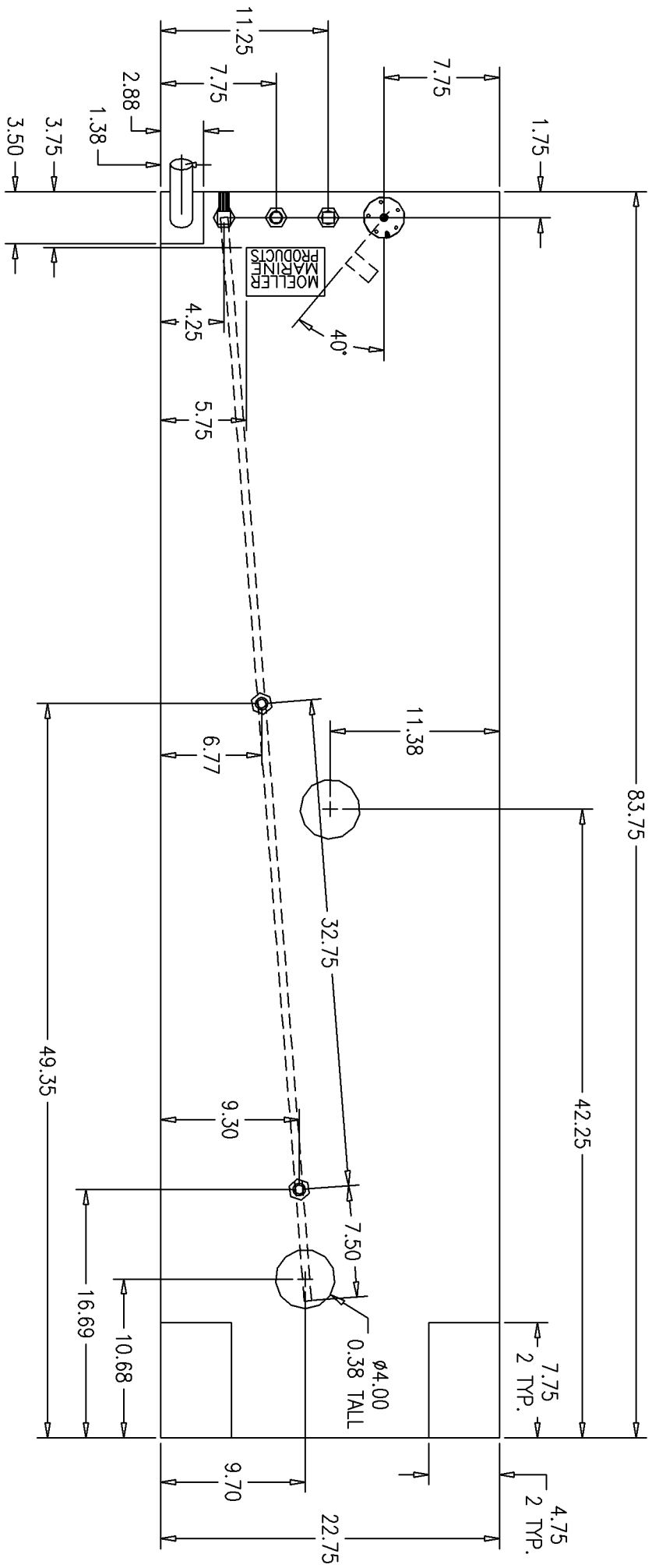


NOTE: ALL EDGES R0.38
UNLESS OTHERWISE NOTED

THIS DRAWING AND THE ATTACHED DRAWINGS (AND THE DATA SHOWN THEREON) IS CONFIDENTIAL AND PROPRIETARY AND SHALL NOT BE USED, DISCLOSED TO OTHERS, REPRODUCED FOR ANY PURPOSE EXCEPT FOR QUOTATION TO OR ORDER BY MOELLER MARINE PRODUCTS, INC. AND/OR IT'S SUBSIDIARIES WITHOUT THEIR WRITTEN CONSENT TO THE USE OF SUCH DRAWINGS AND/OR DATA.



| | | | |
|------------|------------------------------|-------------|---------------------|
| | | DESCRIPTION | 38 GALLON FUEL TANK |
| | | PART # | FT3826 |
| MATERIAL | CROSSLINK POLYETHYLENE | COLOR | NATURAL |
| TOLERANCES | ±1.5% UNLESS OTHERWISE NOTED | | |
| WALL THK. | 0.220" NOMINAL | DATE | 5/6/04 |
| DRAWN BY | MOELLER ENGINEERING | | |



NOTE: CONE IS Ø4.00 AT TOP, AND Ø5.00 AT BOTTOM.
 FILL IS ANGLED 60° FROM VERTICAL, AND 4.50" LONG.

