

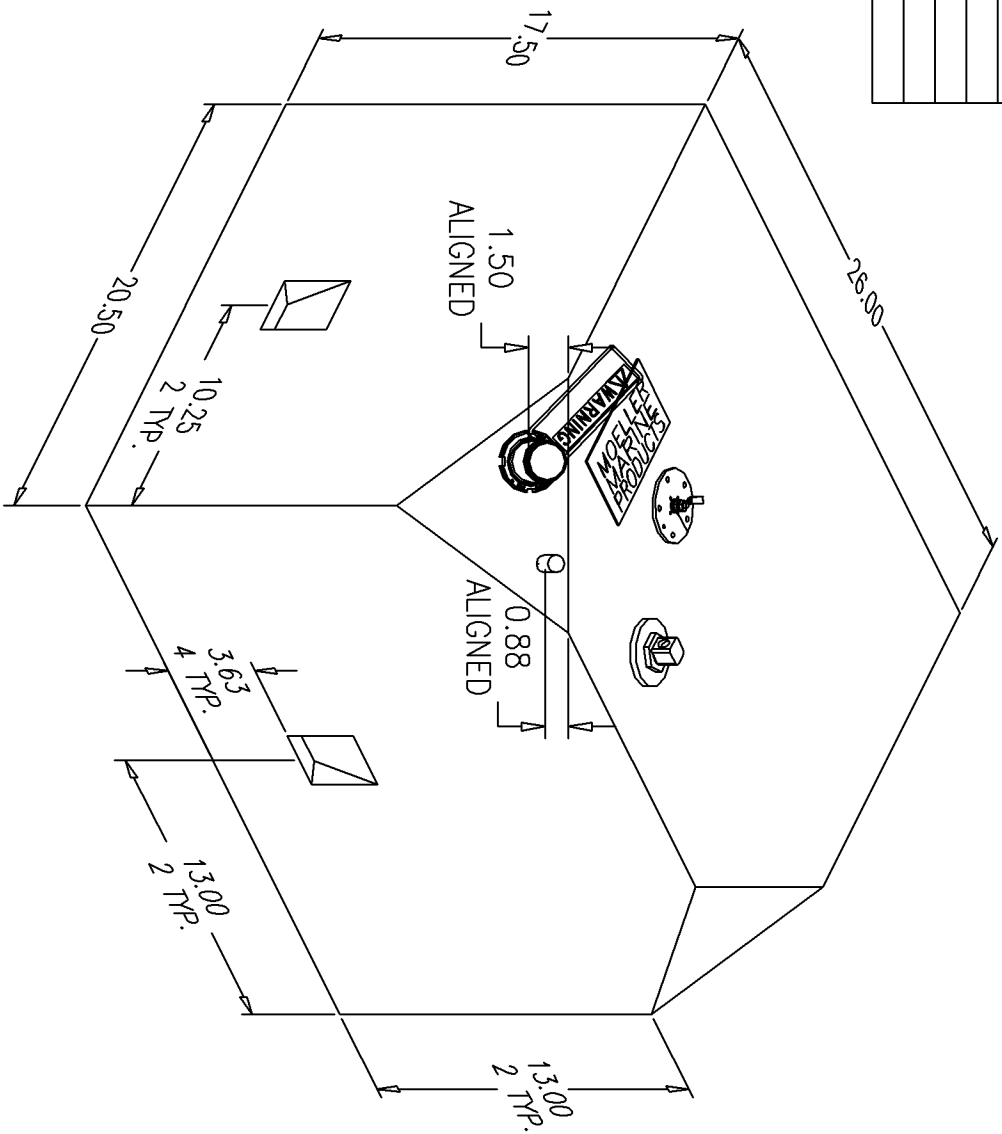
BILL of MATERIALS	
Qty.	DESCRIPTION
1	ROCHESTER SENDING UNIT, DBL PLATED
1	ALUM. PL3 PICKUP W/O BARB
4	HOOK POCKETS W/ BRACKETS (ZIP TIED)
1	MOLDED VENT
1	Ø1.50" ALUM. FILL W/ GROUND TAG
OVERALL HEIGHT 19.11"	

NOTE: ATTACH BRACKETS TO TOP OF TANK

NOTE: ALL EDGES R0.38 UNLESS OTHERWISE NOTED

PAGE 1 OF 2

THIS DRAWING AND THE ATTACHED DRAWINGS (AND THE DATA SHOWN THEREON) IS CONFIDENTIAL AND PROPRIETARY AND SHALL NOT BE USED, DISCLOSED TO OTHERS, REPRODUCED FOR ANY PURPOSE EXCEPT FOR QUOTATION TO OR ORDER BY MOELLER MARINE PRODUCTS, INC. AND/OR ITS SUBSIDIARIES WITHOUT THEIR WRITTEN CONSENT TO THE USE OF SUCH DRAWINGS AND/OR DATA.



NO.	REVISION	DATE
1	REPLACED MOLDED FILL, REPLACE PICKUP W/ PL3 PICKUP	4/28/05
2	ADD Ø2.50" BOSS & GROUND TAG	9/23/05

		DESCRIPTION	37 GALLON FUEL TANK (032537)
PART #	FT3799	COLOR	NATURAL
MATERIAL	CROSSLINK POLYETHYLENE		
TOLERANCES	±1.5% UNLESS OTHERWISE NOTED		
WALL THK.	0.220" NOMINAL	DATE	11/18/05
DRAWN BY	MOELLER ENGINEERING		

