

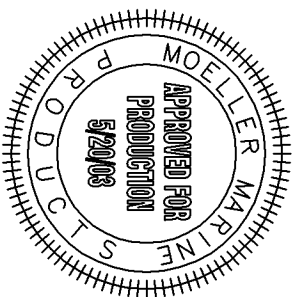
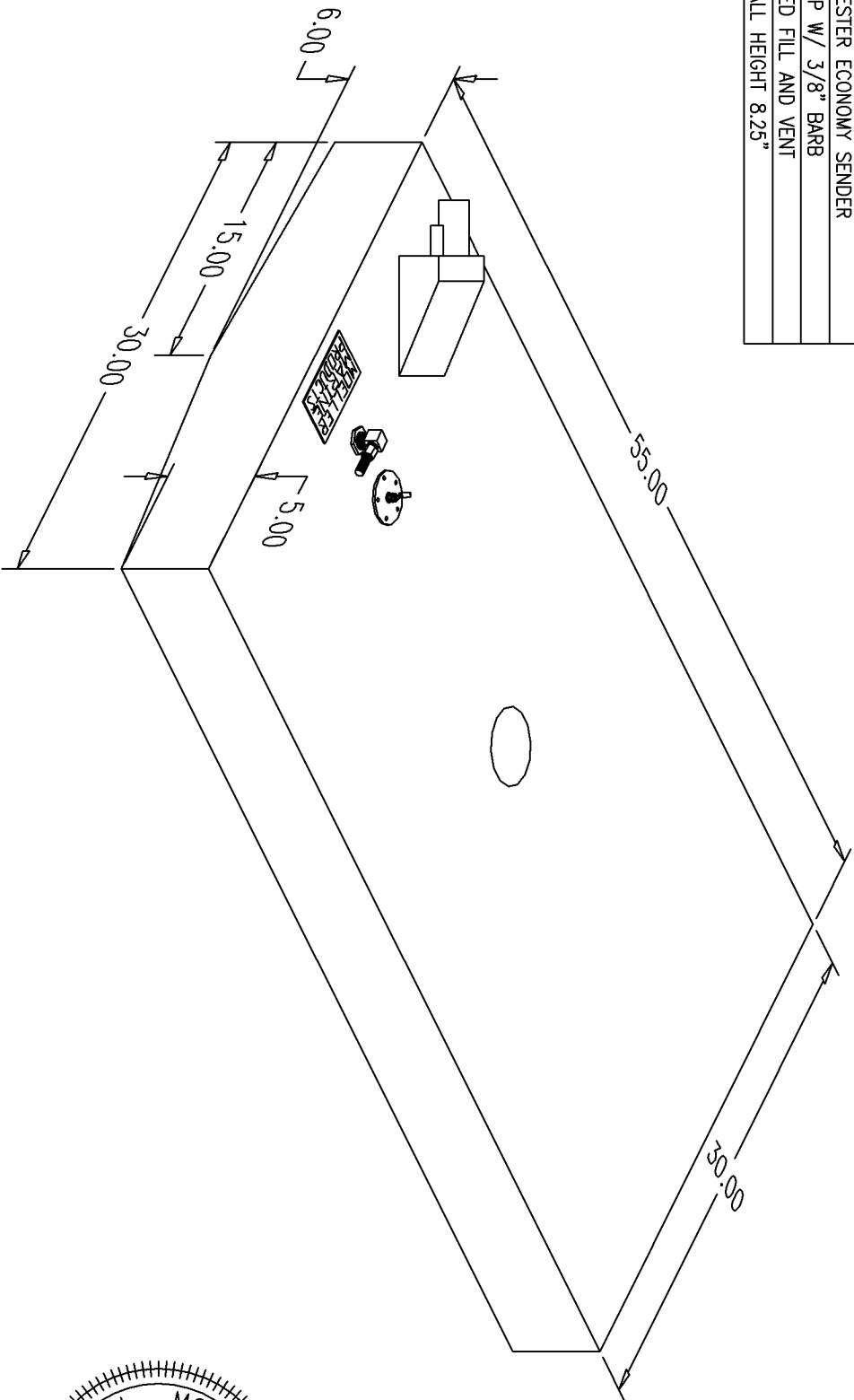
BILL of MATERIALS

Qty.	DESCRIPTION
1	ROCHESTER ECONOMY SENDER
1	PICKUP W/ 3/8" BARB
	MOLDED FILL AND VENT
	OVERALL HEIGHT 8.25"

NO.

REVISION

DATE



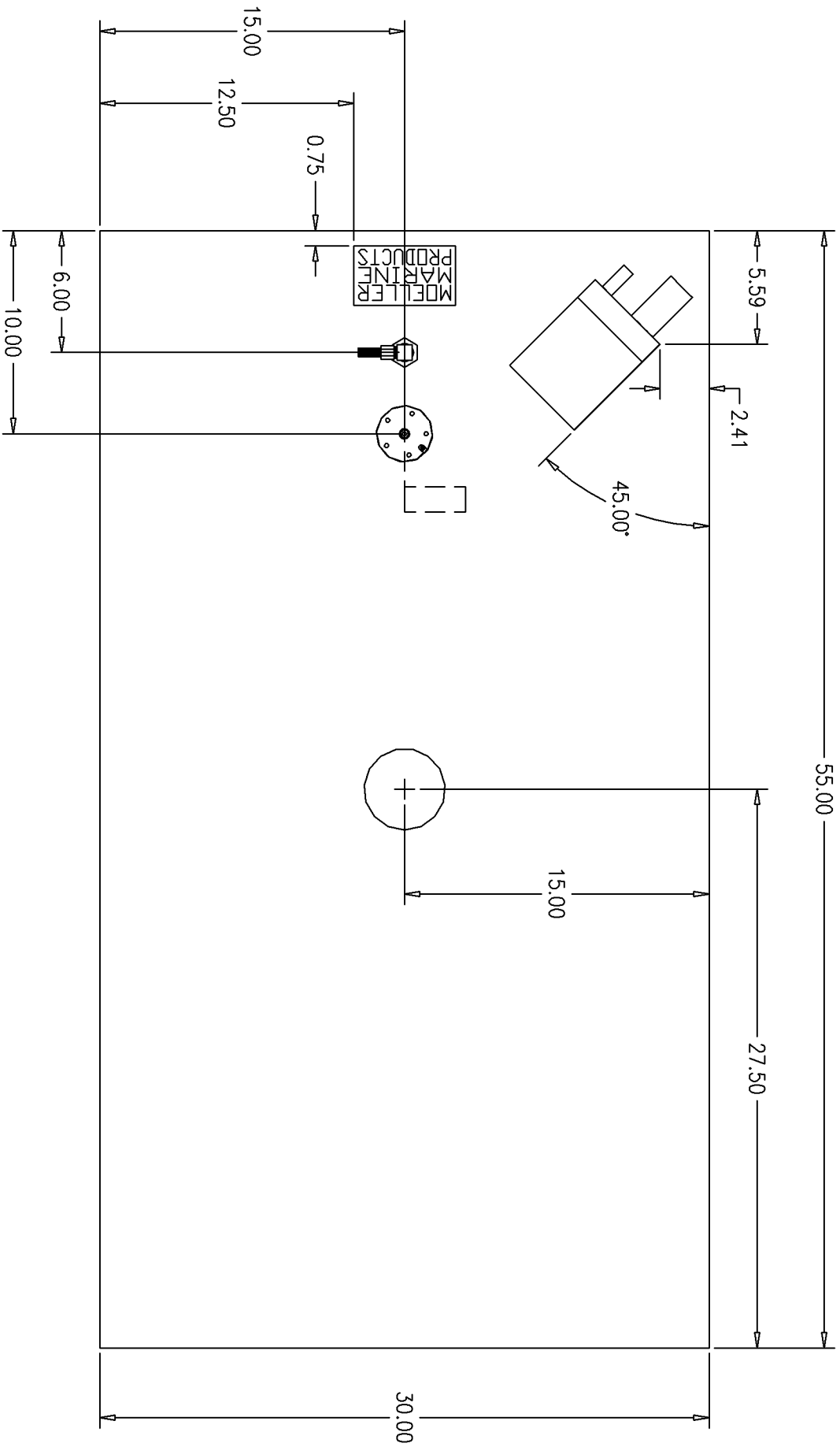
NOTE: ALL EDGES R0.38
UNLESS OTHERWISE NOTED

PAGE 1 OF 4

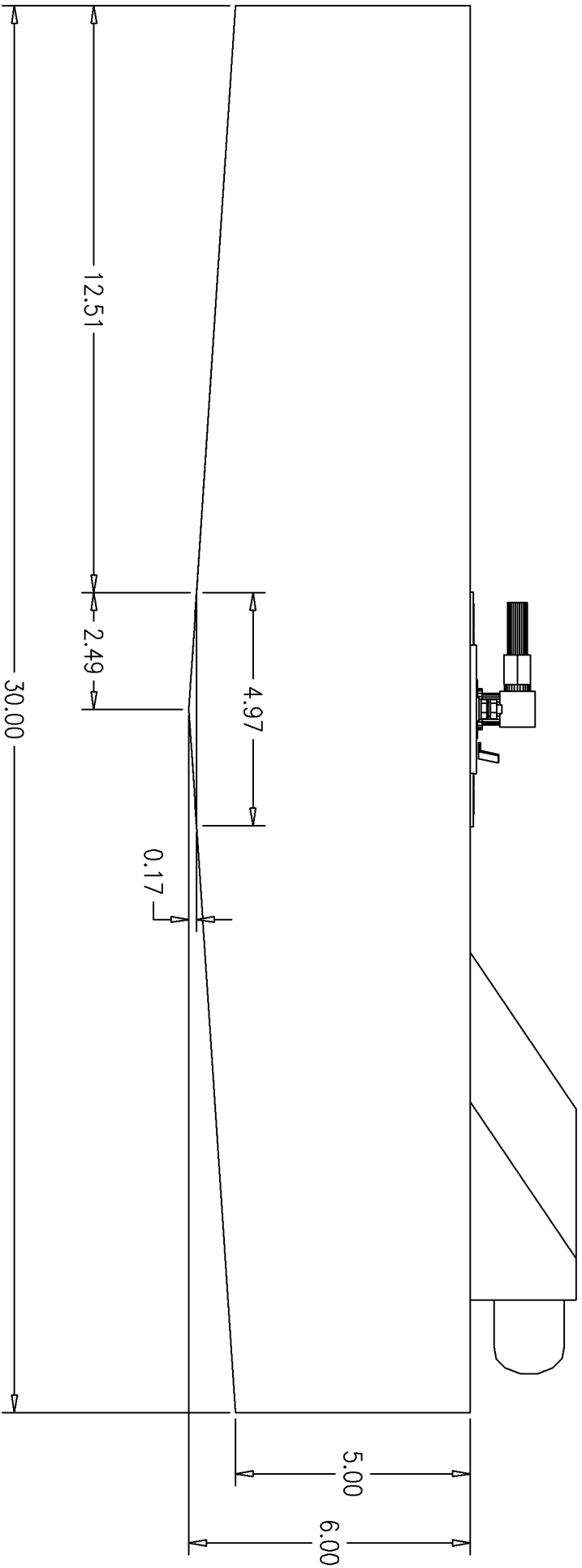
THIS DRAWING AND THE ATTACHED DRAWINGS (AND THE DATA SHOWN THEREON) IS CONFIDENTIAL AND PROPRIETARY AND SHALL NOT BE USED, DISCLOSED TO OTHERS, REPRODUCED FOR ANY PURPOSE EXCEPT FOR QUOTATION TO OR ORDER BY MOELLER MARINE PRODUCTS, INC. AND/OR ITS SUBSIDIARIES WITHOUT THEIR WRITTEN CONSENT TO THE USE OF SUCH DRAWINGS AND/OR DATA.



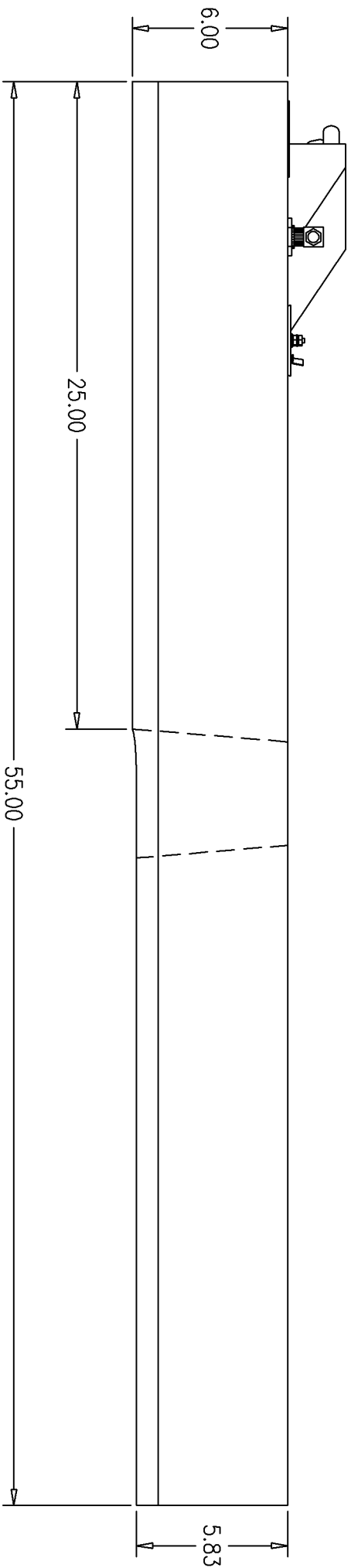
DESCRIPTION	35 GALLON FUEL TANK		
PART #	FT3528	COLOR	NATURAL
MATERIAL	CROSSLINK POLYETHYLENE		
TOLERANCES	±1.5% UNLESS OTHERWISE NOTED		
WALL THK.	0.200" NOMINAL	DATE	07/18/00
DRAWN BY	MOELLER ENGINEERING		



NOTE: DOGHOUSE IS 5.98 LONG, 4.50 WIDE, 2.25 TALL, AND HAS A 1.25 TOP FLAT.
 CONE IS Ø4.00" AT TOP AND Ø5.00" AT BOTTOM



RIGHT SIDE VIEW
7/18/00



FRONT VIEW
7/18/00

PAGE 3
FT3528