

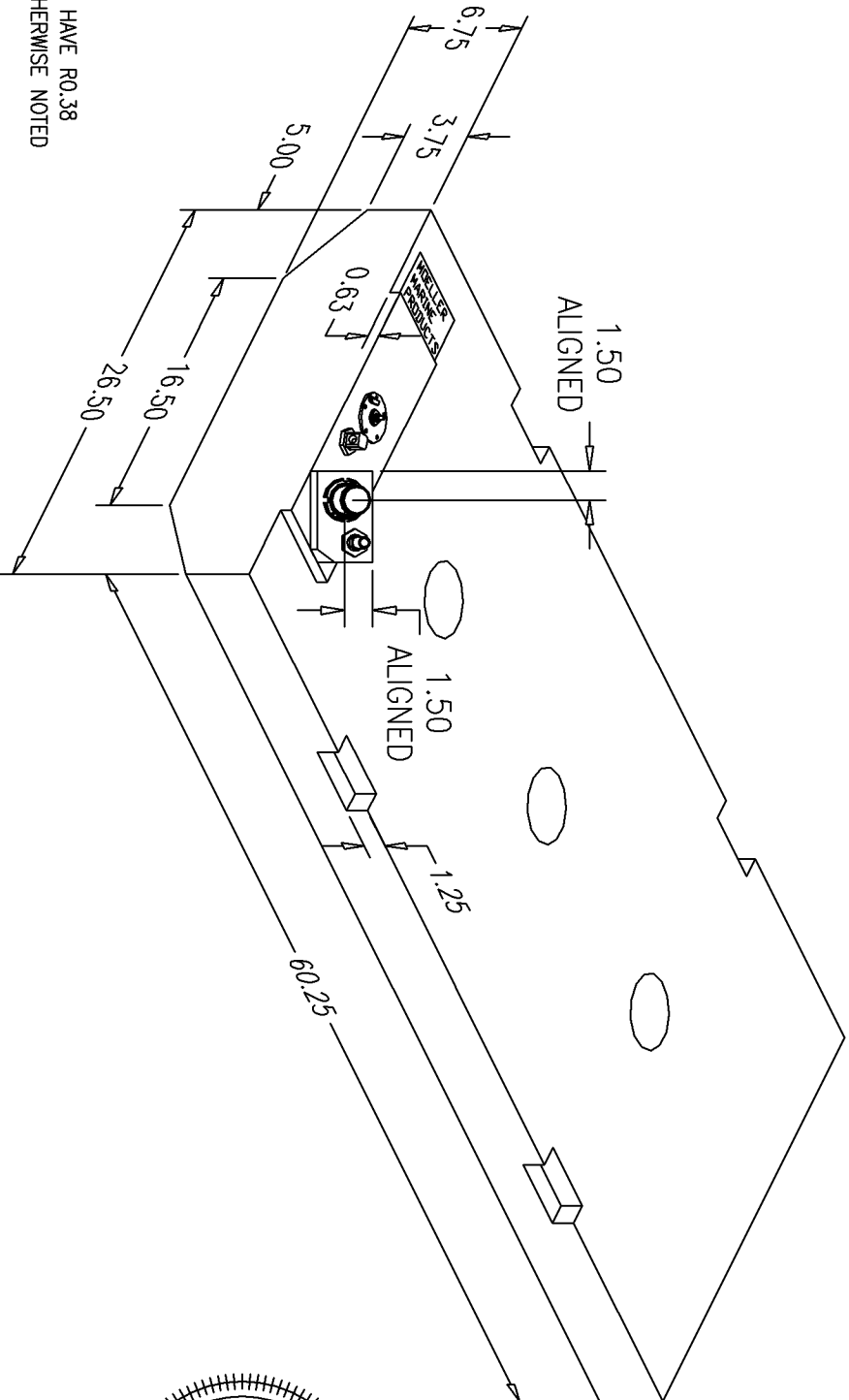
BILL of MATERIALS

Qty.	DESCRIPTION
1	PRIME SENDING UNIT 6.35"
1	ALUM. PL3 PICKUP W/O BARB
1	3/8 NPT INSERT W/ 5/8 BARB (VENT)
1	Ø1.50 ALUM. FILL
	OVERALL TANK HEIGHT 11.04"

NO.

REVISION

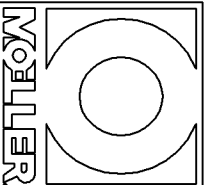
DATE



NOTE: ALL EDGES HAVE R0.38
UNLESS OTHERWISE NOTED

PAGE 1 OF 3

THIS DRAWING AND THE ATTACHED DRAWINGS (AND THE DATA SHOWN THEREON) IS CONFIDENTIAL AND PROPRIETARY AND SHALL NOT BE USED, DISCLOSED TO OTHERS, REPRODUCED FOR ANY PURPOSE EXCEPT FOR QUOTATION TO OR ORDER BY MOELLER MARINE PRODUCTS, INC. AND/OR ITS SUBSIDIARIES WITHOUT THEIR WRITTEN CONSENT TO THE USE OF SUCH DRAWINGS AND/OR DATA.



DESCRIPTION	34 GALLON FUEL TANK (032534)		
PART #	FT3418-1		
MATERIAL	CROSSLINK POLYETHYLENE		
COLOR	NATURAL		
WALL THK.	0.220"		
DRAWN BY	MOELLER ENGINEERING		
	DATE	9/13/06	

