

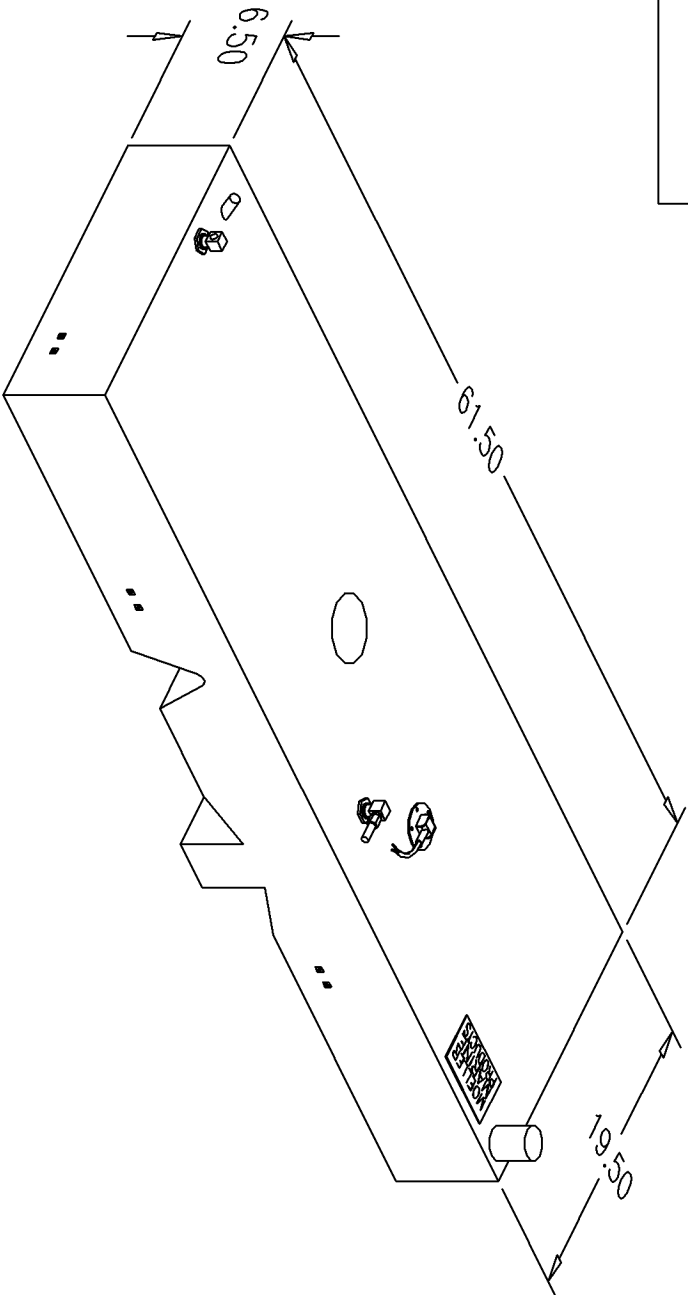
BILL of MATERIALS

Qty.	DESCRIPTION
1	5.50" SS WEMA SENDER
1	PICKUP W/ 3/8 ANTI-SIPHON VALVE
1	RETURN W/O BARB
8	10-24 INSERTS
1	MOLDED FILL
1	MOLDED VENT
	OVERALL HEIGHT 11.75"

NO.

REVISION

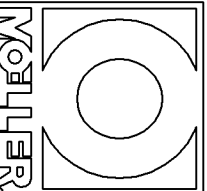
DATE



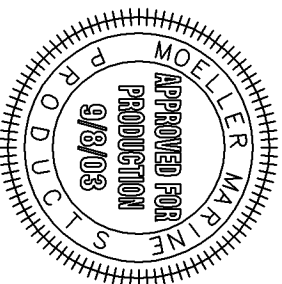
NOTE: ALL EDGES R0.38
UNLESS OTHERWISE NOTED

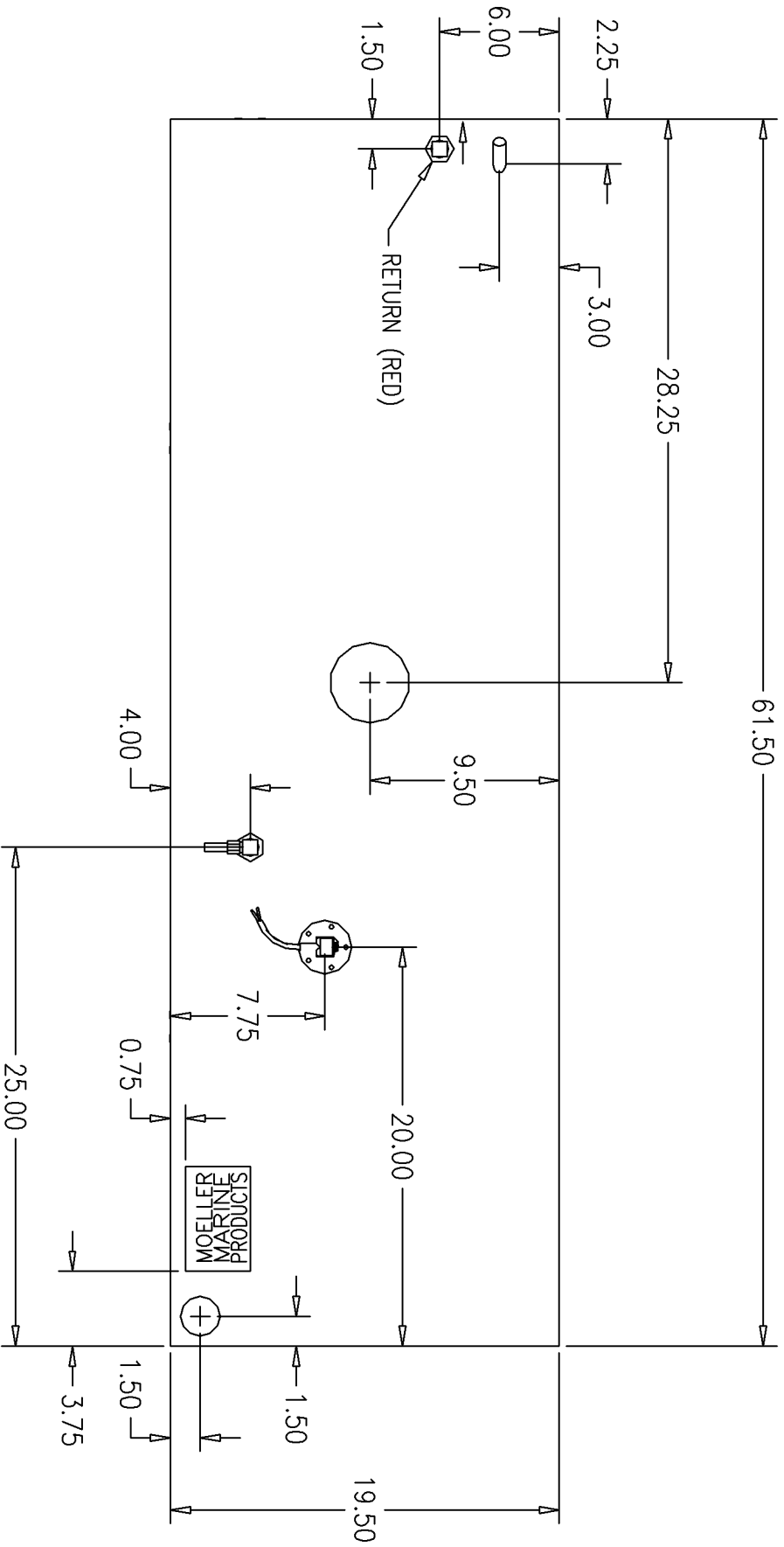
PAGE 1 OF 5

THIS DRAWING AND THE ATTACHED DRAWINGS (AND THE DATA SHOWN THEREON) IS CONFIDENTIAL AND PROPRIETARY AND SHALL NOT BE USED, DISCLOSED TO OTHERS, REPRODUCED FOR ANY PURPOSE EXCEPT FOR QUOTATION TO OR ORDER BY MOELLER MARINE PRODUCTS, INC. AND/OR IT'S SUBSIDIARIES WITHOUT THEIR WRITTEN CONSENT TO THE USE OF SUCH DRAWINGS AND/OR DATA.



DESCRIPTION	29 GALLON FUEL TANK		
PART #	FT2933	COLOR	NATURAL
MATERIAL	CROSSLINK POLYETHYLENE		
TOLERANCES	±1.5% UNLESS OTHERWISE NOTED		
WALL THK.	0.200" NOMINAL		
DRAWN BY	MOELLER ENGINEERING	DATE	9/8/03





NOTE: CONES ARE Ø4.00 AT TOP & Ø5.00 AT BOTTOM.
 FILL IS Ø2.00 X 2.25 TALL.
 VENT IS Ø0.63, ANGLED 45° FROM TOP OF TANK, 1.25 LONG ON SHORT SIDE.

