

BILL of MATERIALS

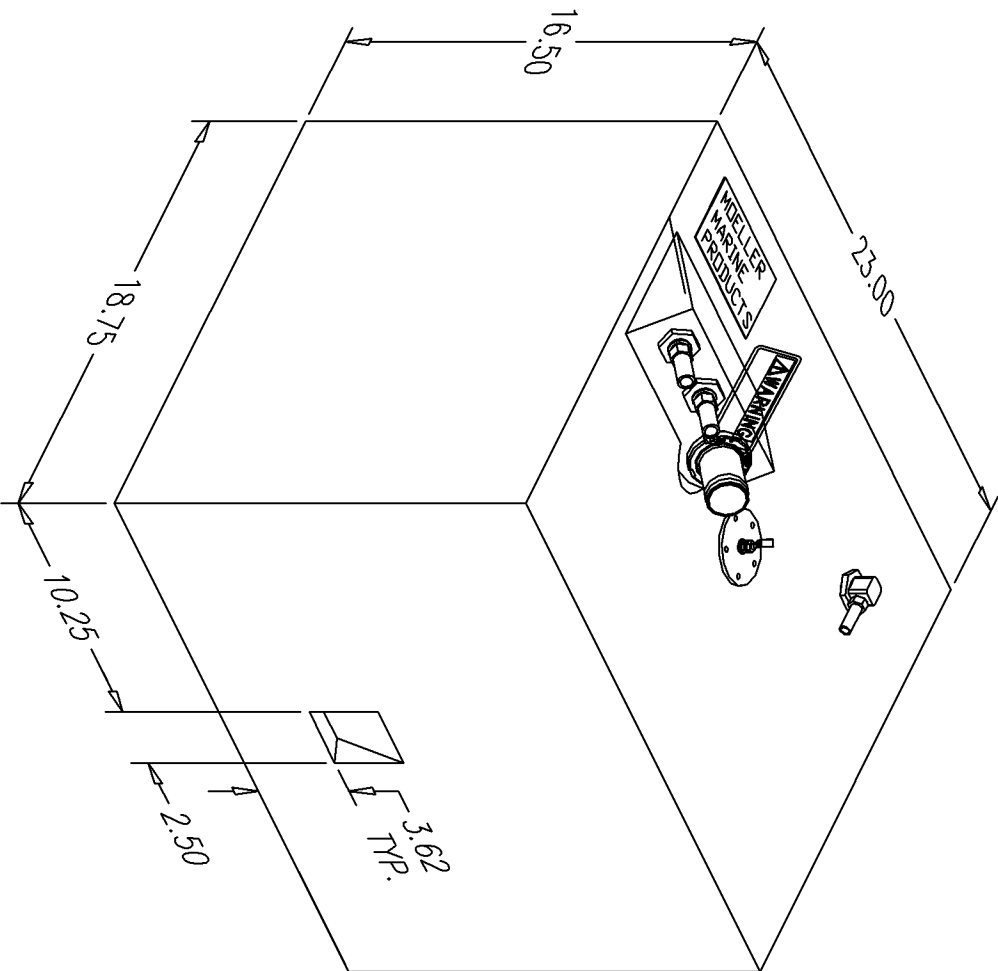
Qty.	DESCRIPTION
1	ROCHESTER ECONOMY SENDER
1	ALUM. PL3 PICKUP W/ 3/8 BARB
2	HOOK POCKETS W/ BRACKETS (ZIP TIED)
2	3/8 NPT INSERTS W/ 5/8 BARBS (VENTS)
1	Ø1.50 ALUM. FILL W/ GROUND TAG
	OVERALL HEIGHT 19.25"

NOTE: ZIP TIE BRACKETS
TO THE TOP OF TANK.

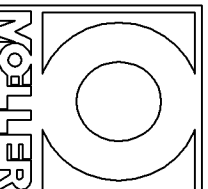
NOTE: ALL EDGES R0.38
UNLESS OTHERWISE NOTED

PAGE 1 OF 3

THIS DRAWING AND THE ATTACHED DRAWINGS (AND THE DATA SHOWN THEREON) IS CONFIDENTIAL, AND PROPRIETARY AND SHALL NOT BE USED, DISCLOSED TO OTHERS, REPRODUCED FOR ANY PURPOSE EXCEPT FOR QUOTATION TO OR ORDER BY MOELLER MARINE PRODUCTS, INC. AND/OR ITS SUBSIDIARIES WITHOUT THEIR WRITTEN CONSENT TO THE USE OF SUCH DRAWINGS AND/OR DATA.



NO.	REVISION	DATE
1	REPLACE MOLDED FILL & VENT W/ INSERTS, REPLACED PICKUP W/ PL3 SERIES, ADD ZIP TIE	12/14/05



DESCRIPTION	29 GALLON FUEL TANK (032629)		
PART #	FT2913	COLOR	NATURAL
MATERIAL	CROSSLINK POLYETHYLENE		
TOLERANCES	±1.5% UNLESS OTHERWISE NOTED		
WALL THK.	0.200"	DATE	12/14/05
DRAWN BY	MOELLER ENGINEERING		

