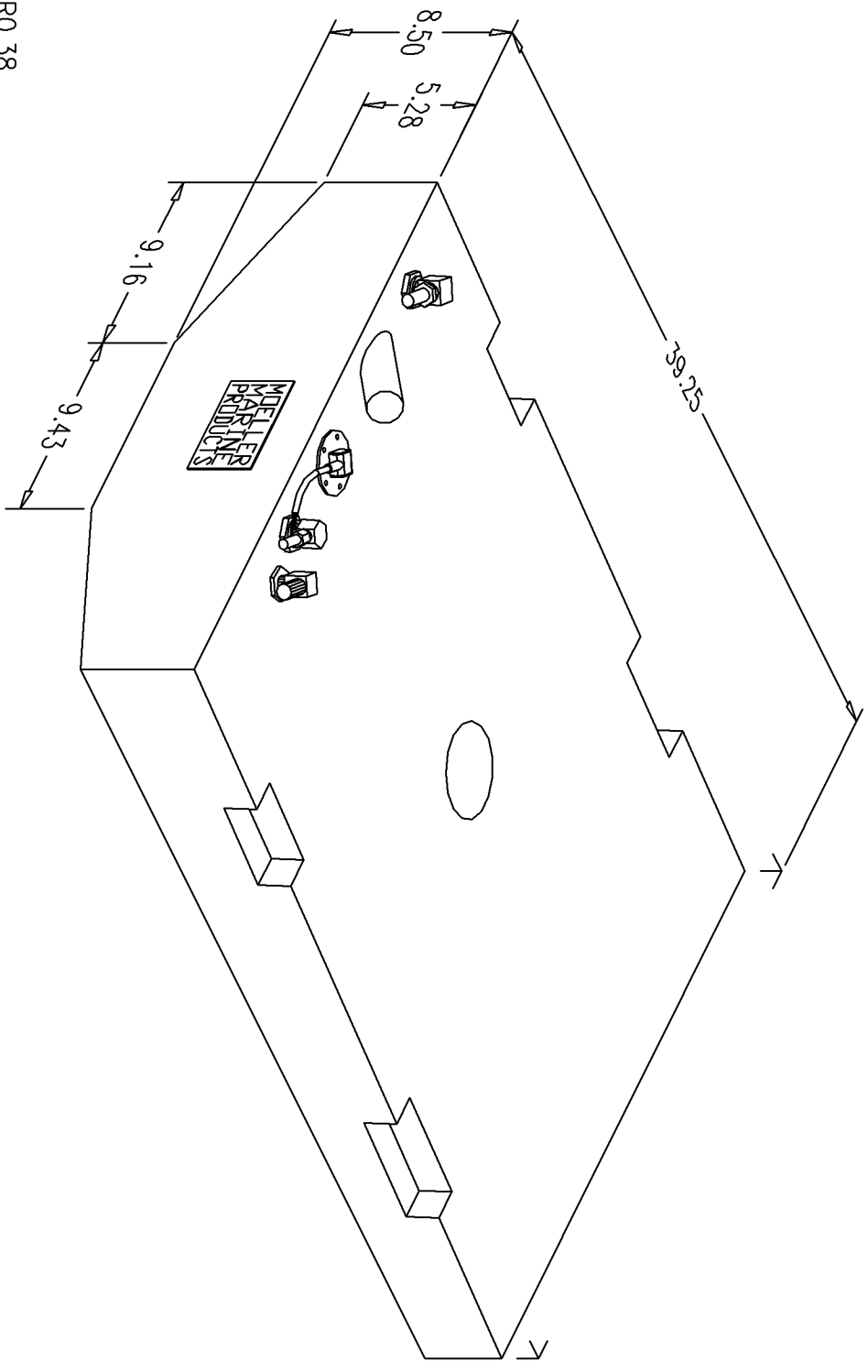


BILL of MATERIALS

Qty.	DESCRIPTION
1	7.50" SS WEMA SENDER W/ TERMINALS
1	SS HX 1/2 P/U W/ 3/8" BRASS BARB (FOR 3/8 WTH) (NO SCREEN)
1	24.00" SS FLEX. RETURN 1/2 NPT W/ 5/16" BRASS BARB (NO SCREEN)
1	3/8 NPT VENT W/ 5/8" BARB
	MOLDED FILL
	OVERALL HEIGHT 11.12"

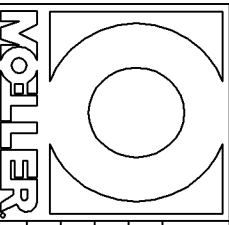
NO.	REVISION	DATE
1	REMOVE SCREEN FROM PICKUP.	4/15/05



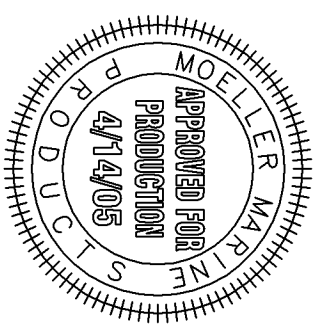
NOTE: ALL EDGES R0.38
UNLESS OTHERWISE NOTED

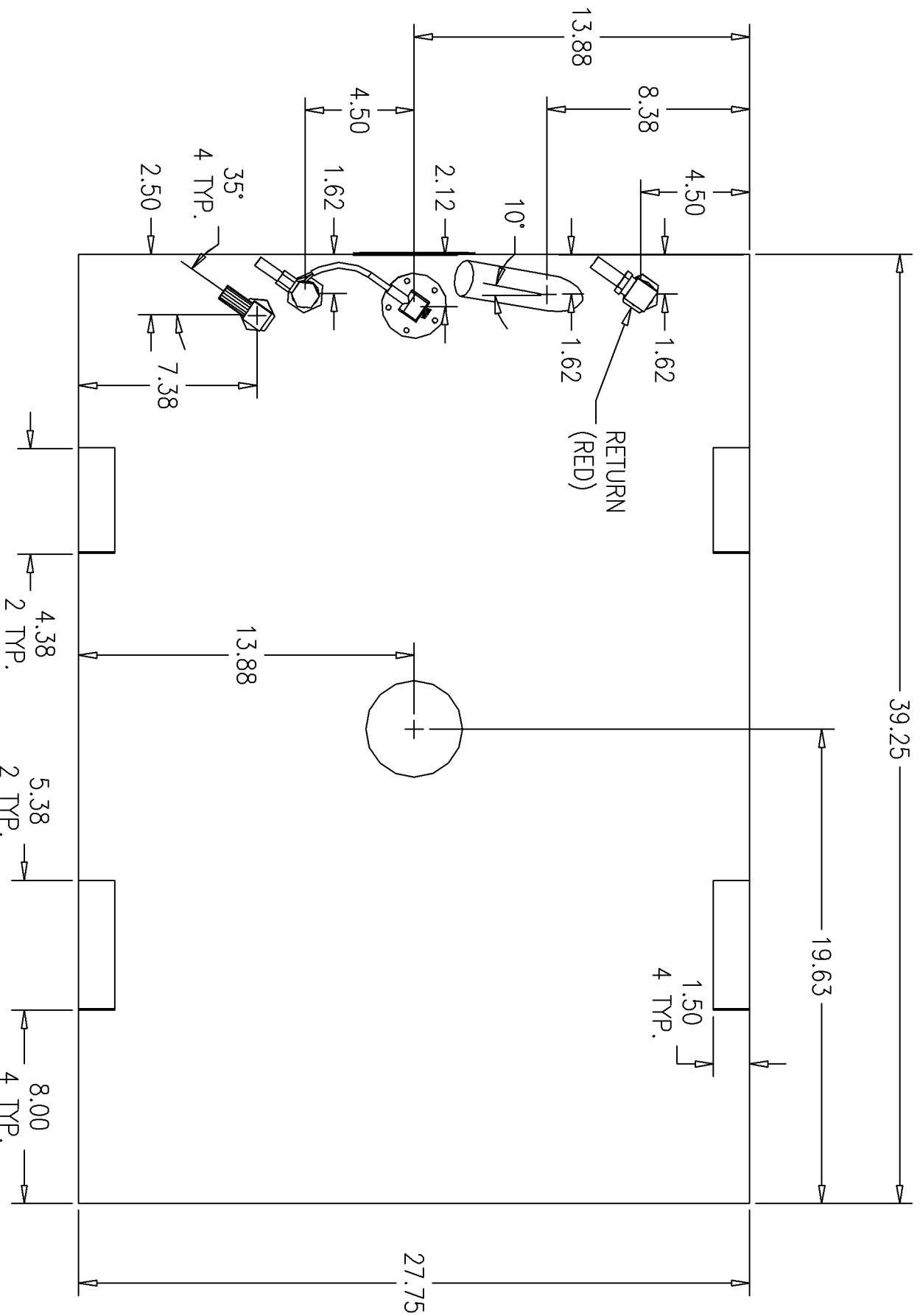
PAGE 1 OF 4

THIS DRAWING AND THE ATTACHED DRAWINGS (AND THE DATA SHOWN THEREON) IS CONFIDENTIAL AND PROPRIETARY AND SHALL NOT BE USED, DISCLOSED TO OTHERS, REPRODUCED FOR ANY PURPOSE EXCEPT FOR QUOTATION TO OR ORDER BY MOELLER MARINE PRODUCTS, INC. AND/OR ITS SUBSIDIARIES WITHOUT THEIR WRITTEN CONSENT TO THE USE OF SUCH DRAWINGS AND/OR DATA.

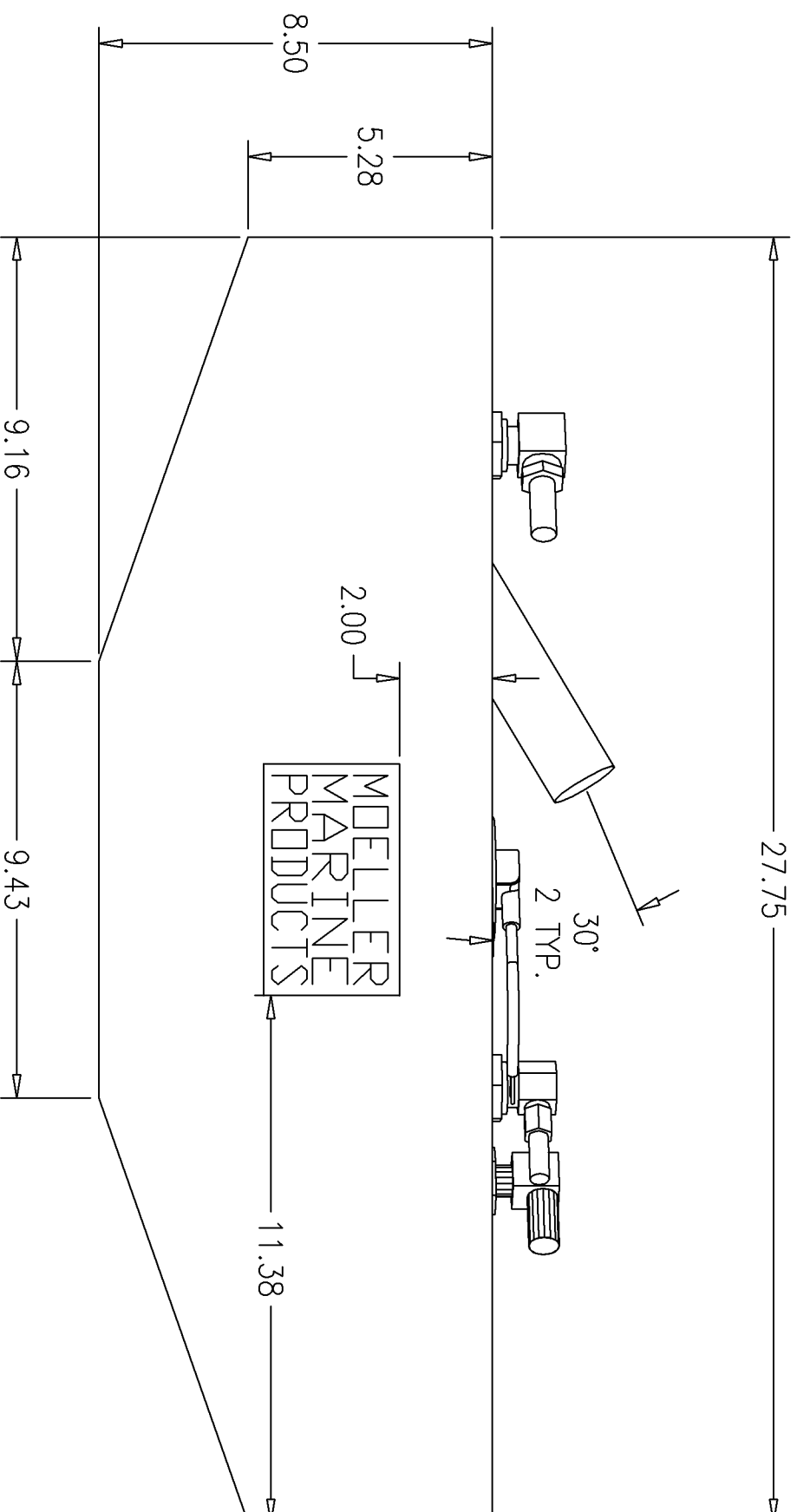


DESCRIPTION	28 GALLON DIESEL FUEL TANK		
PART #	FT2835	COLOR	NATURAL
MATERIAL	CROSSLINK POLYETHYLENE		
TOLERANCES	±1.5% UNLESS OTHERWISE NOTED		
WALL THK.	0.200" NOMINAL	DATE	4/15/05
DRAWN BY	MOELLER ENGINEERING		

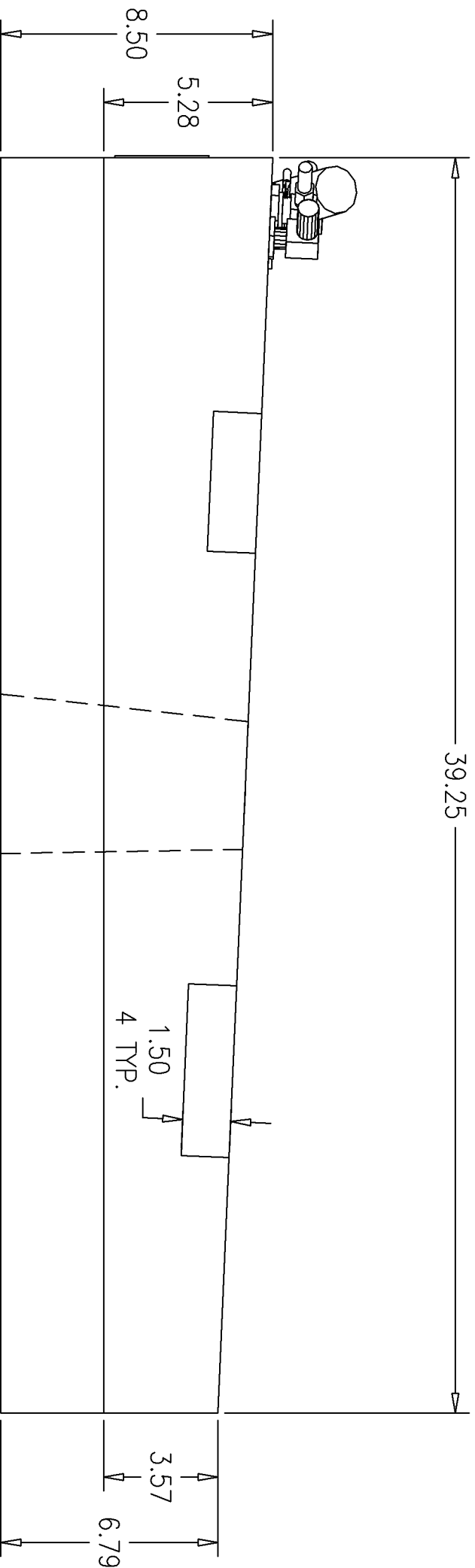




NOTE: CONE IS Ø4.00 AT TOP & Ø5.00 AT BOTTOM.
 DIMENSIONS ARE ALIGNED WITH TOP SURFACE OF TANK.



NOTE: FILL IS Ø1.50 AND 2.75 ON SHORT SIDE.



NOTE: FILL IS Ø1.50, 2.75 ON SHORT SIDE, AND ANGLED 30° FROM HORIZONTAL.