

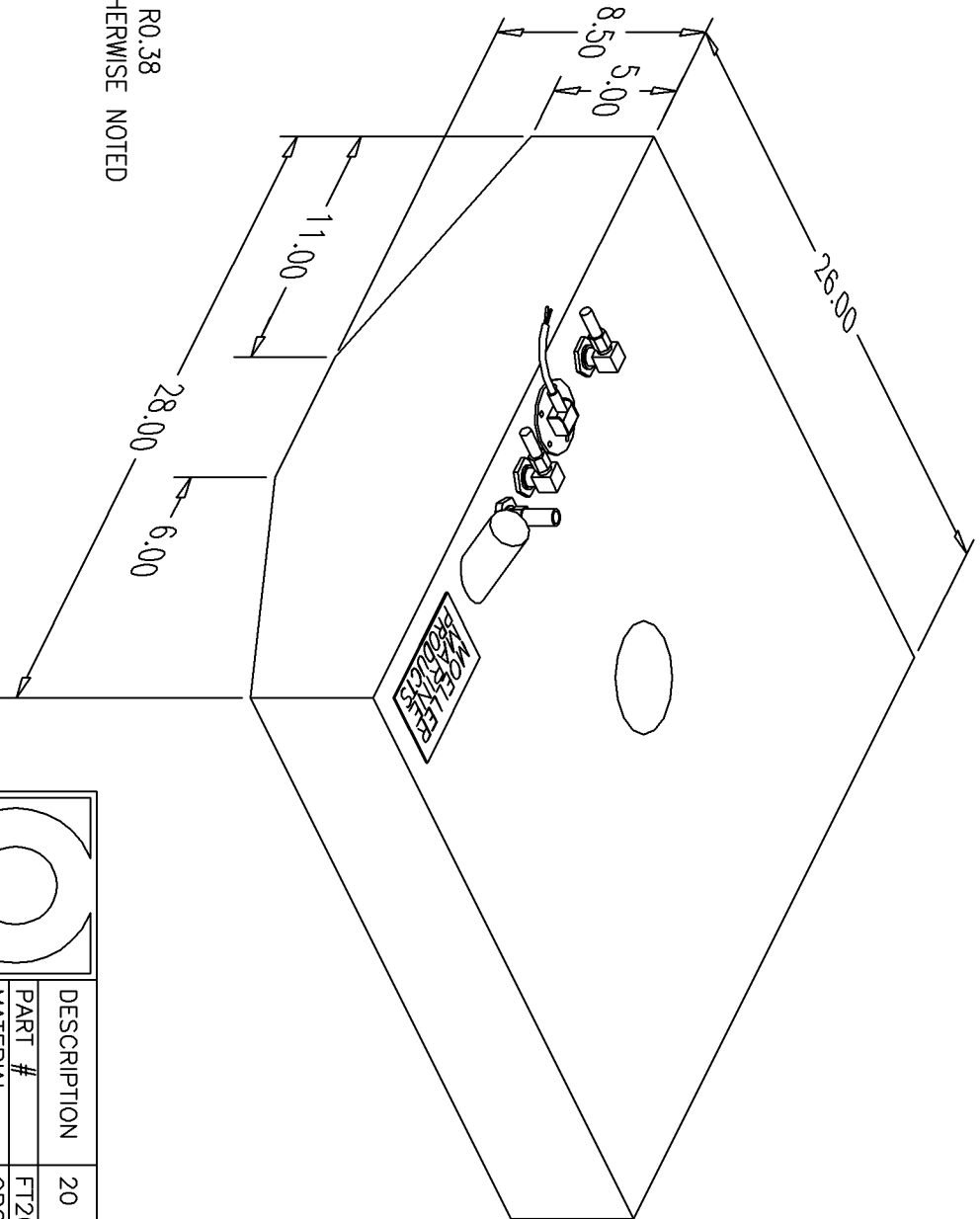
BILL of MATERIALS

Qty.	DESCRIPTION
1	7.50" SS WEMA SENDER
1	3/8 NPT PICKUP W/ 3/8" ASV CAL TO 15
1	3/8 NPT RETURN W/ 3/8" BARB (NO TUBE)
1	3/8 NPT INSERT W/ 5/8" BARB (VENT)
1	Ø1.50 X 2.75" MOLDED FILL.
	OVERALL HEIGHT 11.25"

NO.

REVISION

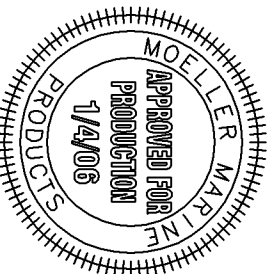
DATE



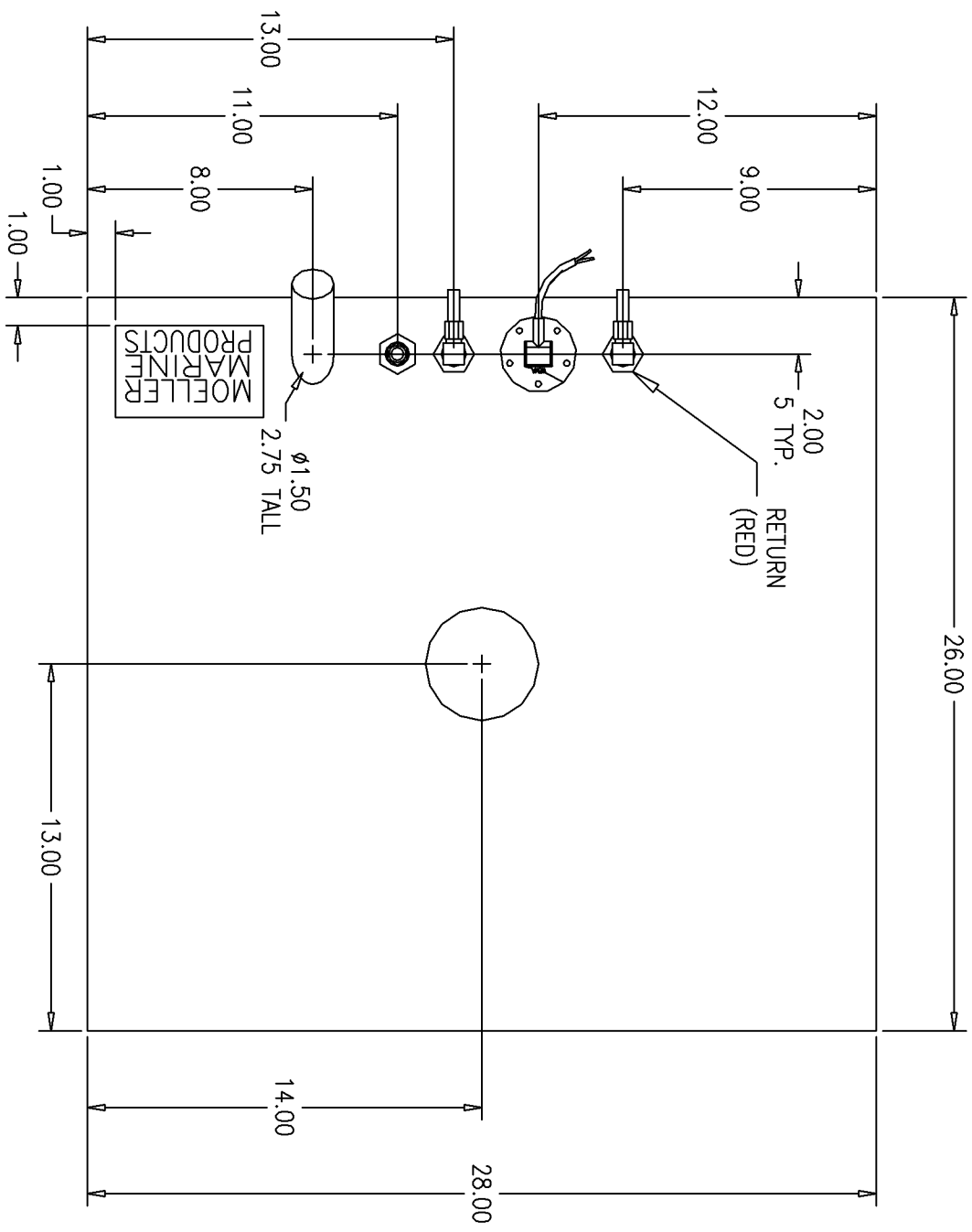
NOTE: ALL EDGES R0.38
UNLESS OTHERWISE NOTED

PAGE 1 OF 2

THIS DRAWING AND THE ATTACHED DRAWINGS (AND THE DATA SHOWN THEREON) IS CONFIDENTIAL AND PROPRIETARY AND SHALL NOT BE USED, DISCLOSED TO OTHERS, REPRODUCED FOR ANY PURPOSE EXCEPT FOR QUOTATION TO OR ORDER BY MOELLER MARINE PRODUCTS, INC. AND/OR ITS SUBSIDIARIES WITHOUT THEIR WRITTEN CONSENT TO THE USE OF SUCH DRAWINGS AND/OR DATA.



		DESCRIPTION	20 GALLON FUEL TANK
		PART #	FT2056
MATERIAL	CROSSLINK POLYETHYLENE	COLOR	NATURAL
TOLERANCES	±1.5% UNLESS OTHERWISE NOTED	DATE	1/4/06
WALL THK.	0.200" NOMINAL	DATE	1/4/06
DRAWN BY	MOELLER ENGINEERING		



NOTE: CONE IS Ø4.00 AT TOP AND Ø5.00 AT BOTTOM.
 FILL IS ANGLED 45° AND 2.75" ON SHORT SIDE.