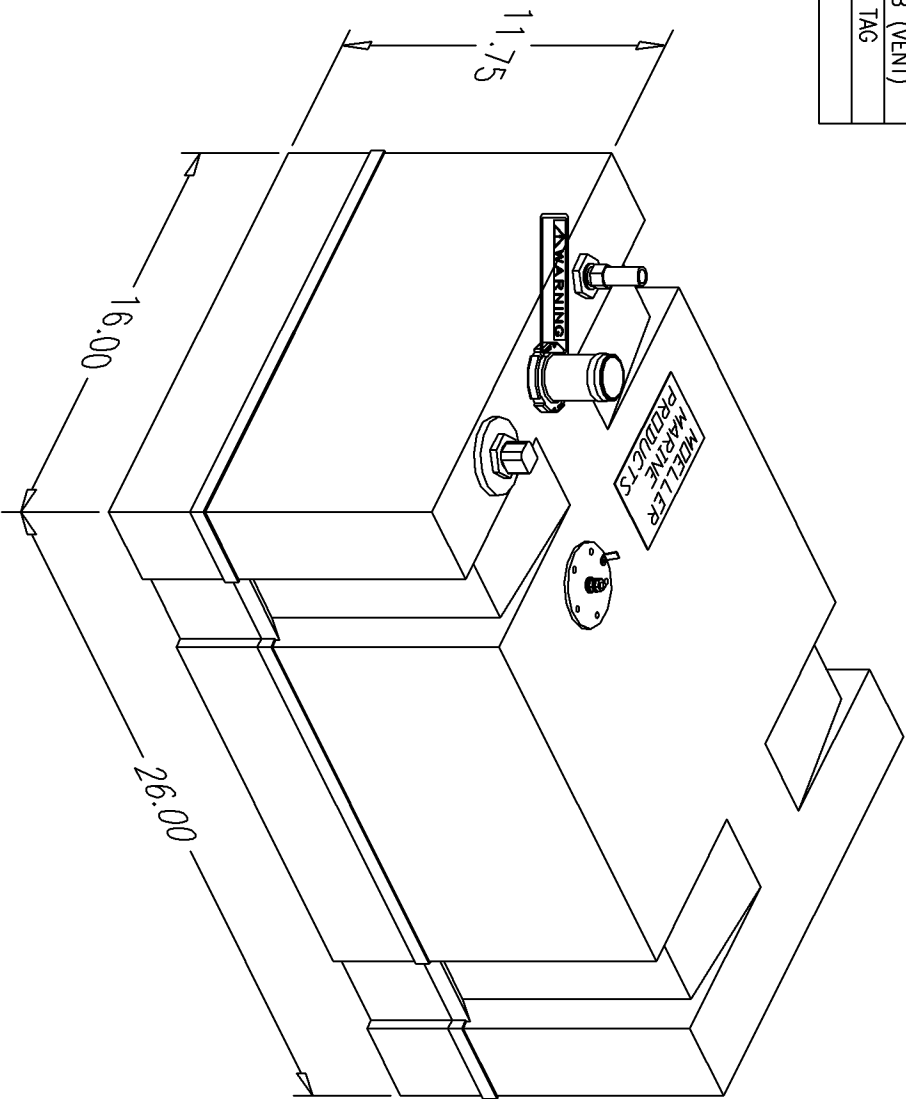


BILL of MATERIALS

Qty.	DESCRIPTION
1	ROCHESTER SENDING UNIT, DBL PLATED
1	ALUM. PL3 PICKUP W/O BARB
4	HOOK POCKETS W/O BRACKETS
1	3/8 NPT INSERT W/ 5/8" BARB (VENT)
1	Ø1.50" ALUM. FILL W/ GROUND TAG
	OVERALL HEIGHT 14.25"

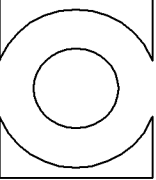
NO.	REVISION	DATE
1	REMOVE HOOK POCKET BRACKETS FROM BOM.	10/23/00
2	REPLACED MOLDED FILL, MOLDED VENT, W/ ALUM REPLACE PICKUP W/ PL3 PICKUP	4/28/05
3	MOVE FILL ; ADD Ø2.50" BOSS & GROUND TAG	9/23/05



NOTE: ALL EDGES HAVE R0.375
UNLESS OTHERWISE NOTED

PAGE 1 OF 3

THIS DRAWING AND THE ATTACHED DRAWINGS (AND THE DATA SHOWN THEREON) IS CONFIDENTIAL AND PROPRIETARY AND SHALL NOT BE USED, DISCLOSED TO OTHERS, REPRODUCED FOR ANY PURPOSE EXCEPT FOR QUOTATION TO OR ORDER BY MOELLER MARINE PRODUCTS, INC. AND/OR ITS SUBSIDIARIES WITHOUT THEIR WRITTEN CONSENT TO THE USE OF SUCH DRAWINGS AND/OR DATA.

	
DESCRIPTION	19 GALLON FUEL TANK (032519)
PART #	FT1999
MATERIAL	CROSSLINK POLYETHYLENE
TOLERANCES	±1.5% UNLESS OTHERWISE NOTED
WALL THK.	0.200"
DRAWN BY	MOELLER ENGINEERING
COLOR	NATURAL
DATE	10/25/05

