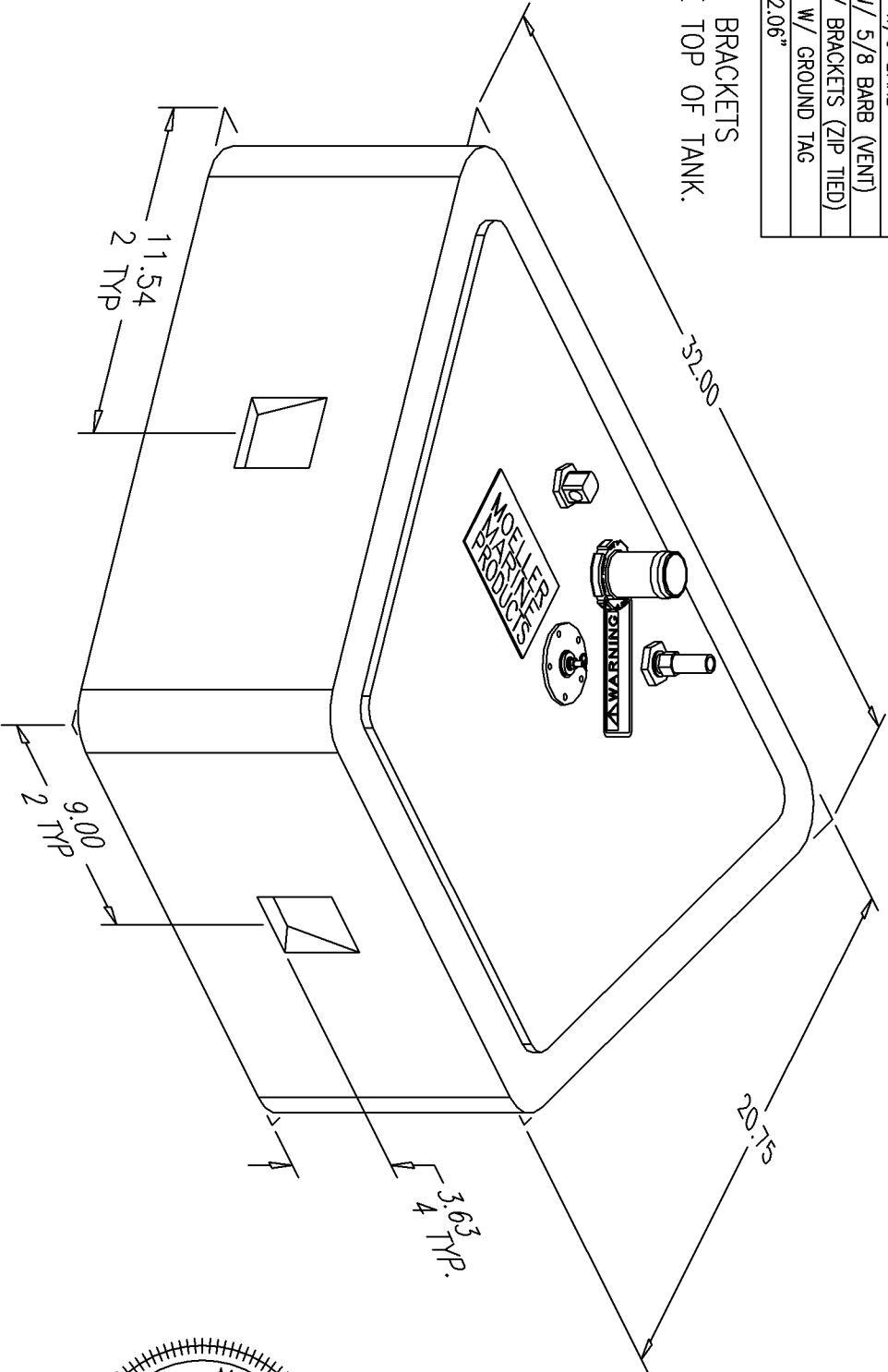


BILL of MATERIALS

Qty.	DESCRIPTION
1	ROCHESTER SENDING UNIT, DBL PLATED
1	ALUM. PL3 PICKUP W/O BARB
1	3/8 NPT INSERT W/ 5/8 BARB (VENT)
4	HOOK POCKETS W/ BRACKETS (ZIP TIED)
1	Ø1.50" ALUM. FILL W/ GROUND TAG
	OVERALL HEIGHT 12.06"

NOTE: ZIP TIE BRACKETS
TO THE TOP OF TANK.

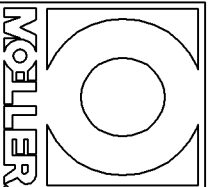


NOTE: ALL EDGES R0.5000
UNLESS OTHERWISE NOTED

PAGE 1 OF 3

THIS DRAWING AND THE ATTACHED DRAWINGS (AND THE DATA SHOWN THEREON) IS CONFIDENTIAL AND PROPRIETARY AND SHALL NOT BE USED, DISCLOSED TO OTHERS, REPRODUCED FOR ANY PURPOSE EXCEPT FOR QUOTATION TO OR ORDER BY MOELLER MARINE PRODUCTS, INC. AND/OR IT'S SUBSIDIARIES WITHOUT THEIR WRITTEN CONSENT TO THE USE OF SUCH DRAWINGS AND/OR DATA.

NO.	REVISION	DATE
1	REPLACE FILL & PICKUP	11/28/05



DESCRIPTION	19 GALLON FUEL TANK (032819)		
PART #	FT1995	COLOR	GRAY
MATERIAL	CROSSLINK POLYETHYLENE		
TOLERANCES	±1.5% UNLESS OTHERWISE NOTED		
WALL THK.	0.200"	DATE	11/28/05
DRAWN BY	MOELLER ENGINEERING		

