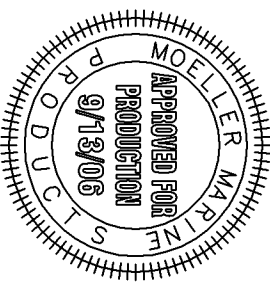
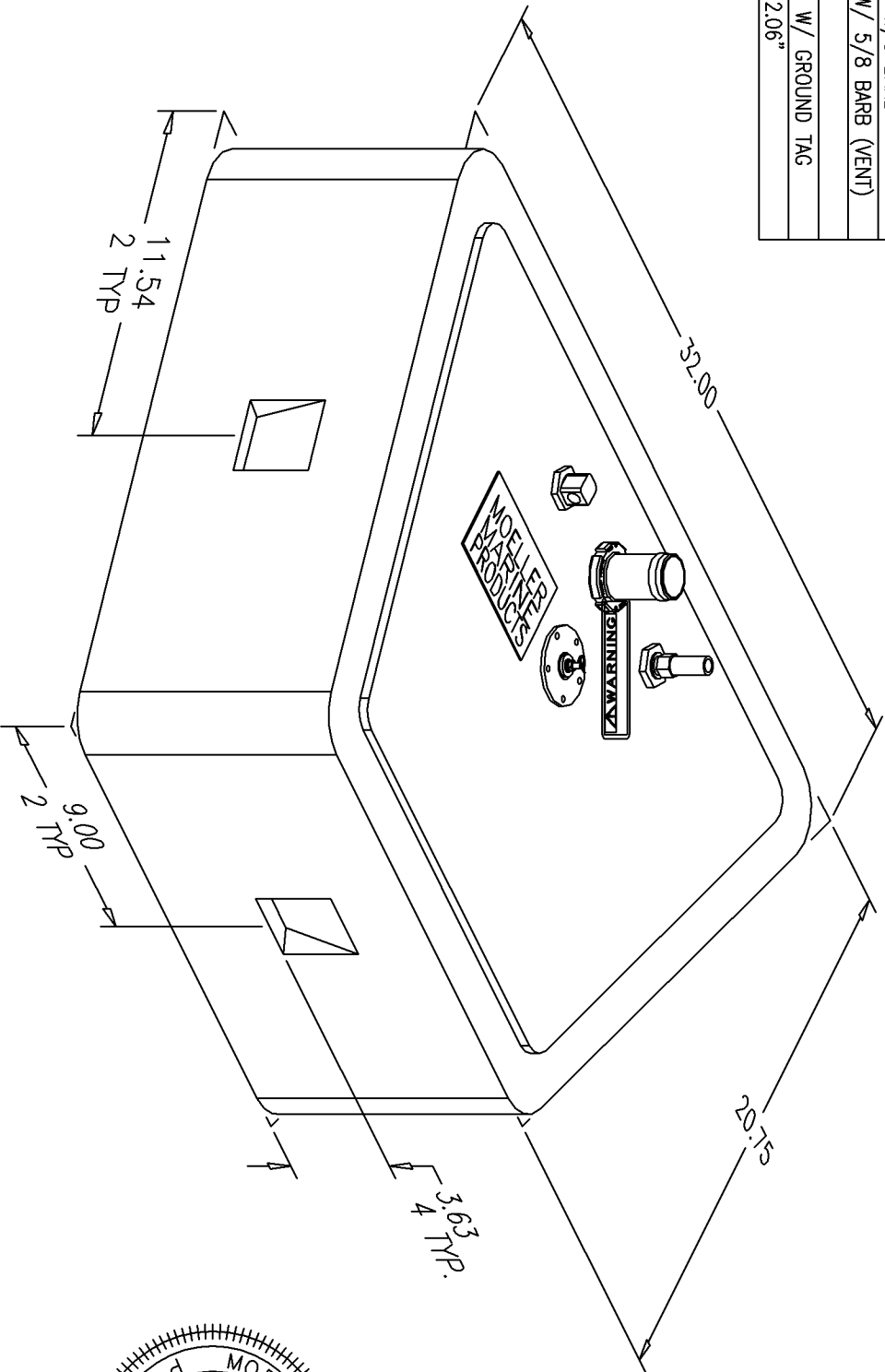


BILL of MATERIALS

Qty.	DESCRIPTION
1	PRIME SENDING UNIT 8.25"
1	ALUM. PL3 PICKUP W/O BARB
1	3/8 NPT INSERT W/ 5/8 BARB (VENT)
4	HOOK POCKETS
1	Ø1.50" ALUM. FILL W/ GROUND TAG
	OVERALL HEIGHT 12.06"

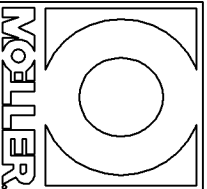


NOTE: ALL EDGES R0.5000
UNLESS OTHERWISE NOTED

PAGE 1 OF 3

THIS DRAWING AND THE ATTACHED DRAWINGS (AND THE DATA SHOWN THEREON) IS CONFIDENTIAL AND PROPRIETARY AND SHALL NOT BE USED, DISCLOSED TO OTHERS, REPRODUCED FOR ANY PURPOSE EXCEPT FOR QUOTATION TO OR ORDER BY MOELLER MARINE PRODUCTS, INC. AND/OR IT'S SUBSIDIARIES WITHOUT THEIR WRITTEN CONSENT TO THE USE OF SUCH DRAWINGS AND/OR DATA.

NO.	REVISION	DATE



DESCRIPTION	19 GALLON FUEL TANK (032819)		
PART #	FT1995-1	COLOR	GRAY
MATERIAL	CROSSLINK POLYETHYLENE		
TOLERANCES	±1.5% UNLESS OTHERWISE NOTED		
WALL THK.	0.200"	DATE	9/13/06
DRAWN BY	MOELLER ENGINEERING		