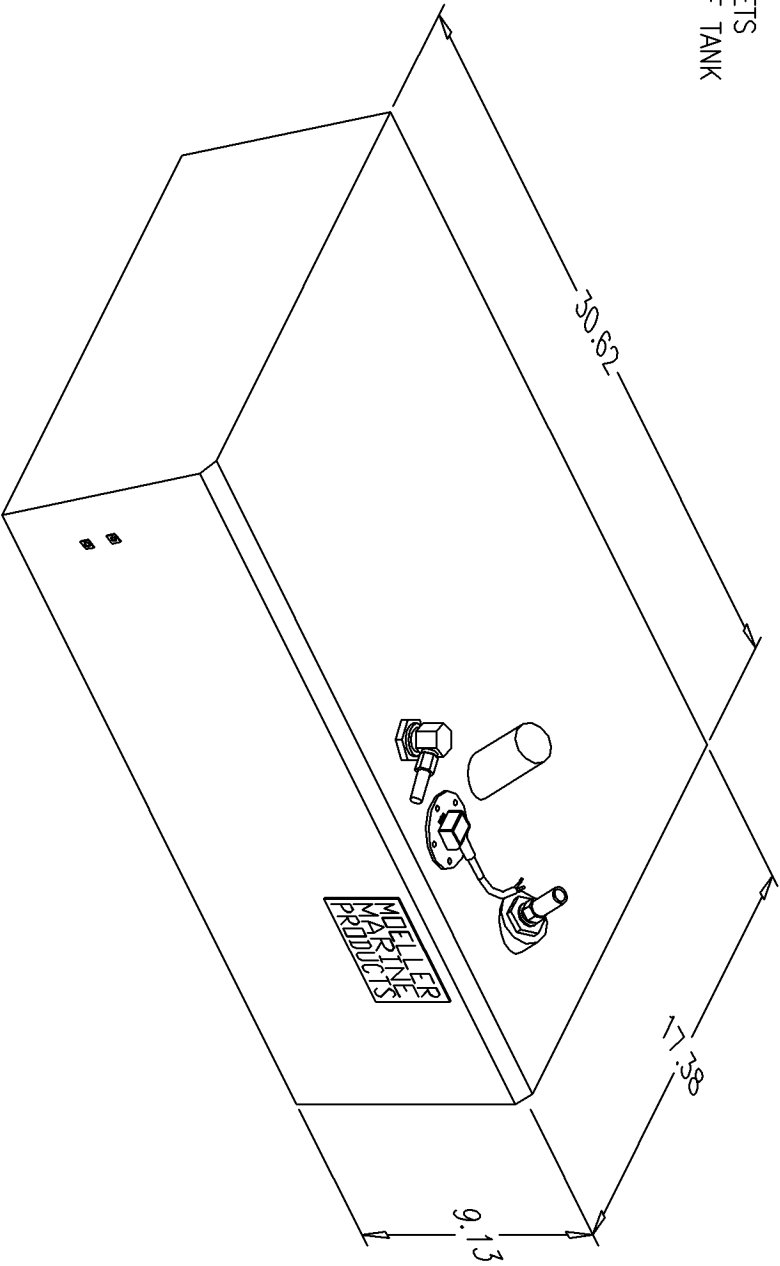


BILL of MATERIALS

Qty.	DESCRIPTION
1	8.00" SS WEMA SENDER W/ TERMINALS
1	SS HX 1/2 P/U W/ 3/8 BRASS BARB (FOR 3/8 WTH)
1	VENT W/ 5/8" BARB
3	LARGE L-BRACKETS W/ INSERTS (ZIP TIE)
	MOLDED FILL
	OVERALL HEIGHT 11.81"

NOTE: ZIP TIE BRACKETS
TO THE TOP OF TANK

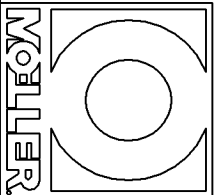


NO.	REVISION	DATE
1	ATTACH L-BRACKETS TO TANK W/ ZIP TIE.	1/7/00
2	ADD AMP TERMINALS TO WEMA SENDER	2/9/00
3	MOVED SENDER, CHANGED PICKUP ANGLE TO 15°	5/3/00
4	REPLACE WEMA WITH SS WEMA	11/13/02
5	REPLACE MOLDED VENT W/ ALUMINUM. CHANGE P/U COMPONENTS.	3/30/04

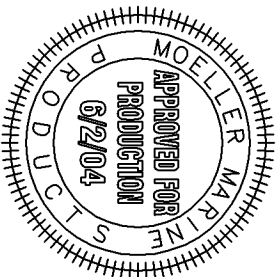
NOTE: ALL EDGES R0.38
UNLESS OTHERWISE NOTED

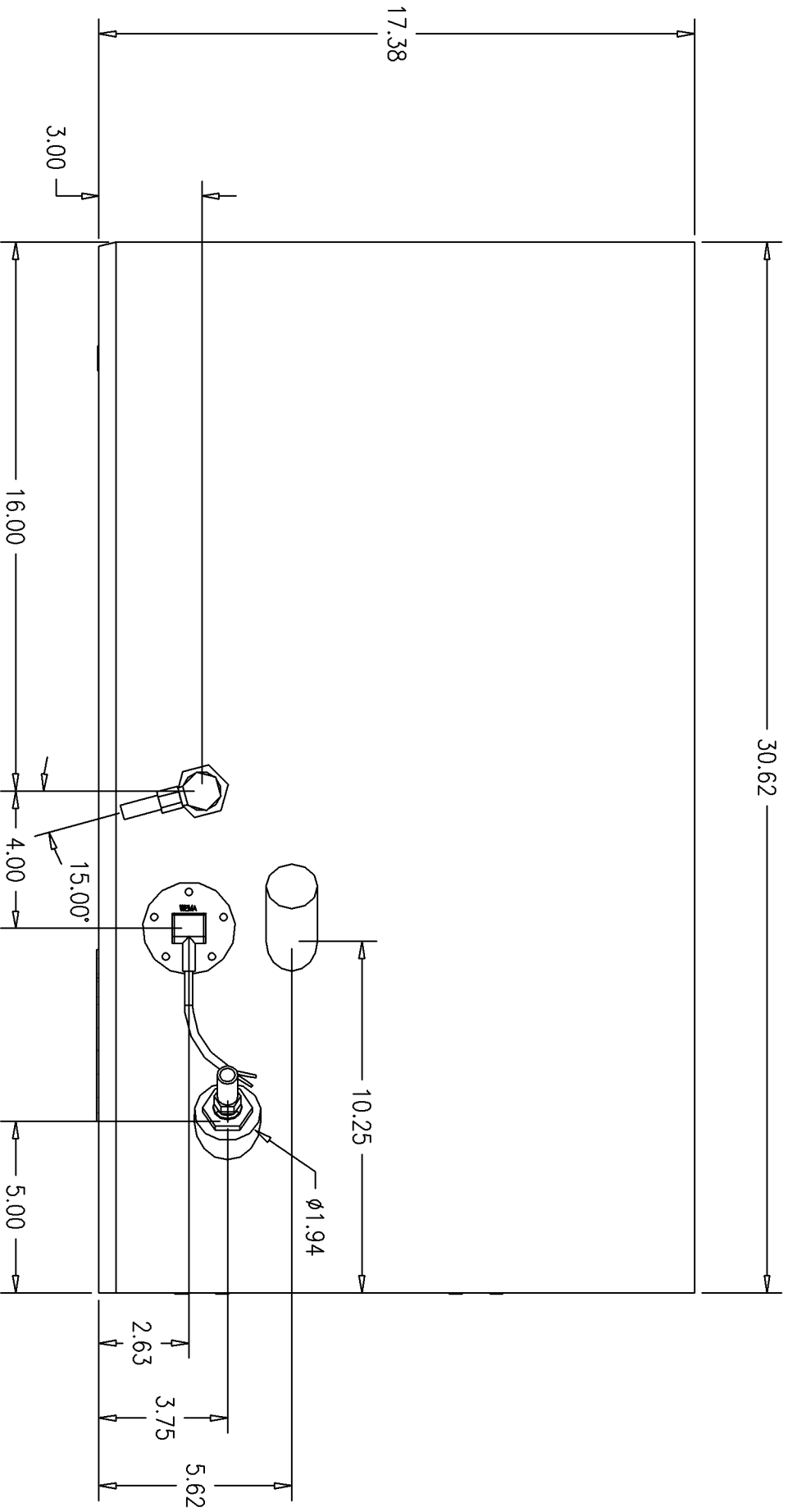
PAGE 1 OF 4

THIS DRAWING AND THE ATTACHED DRAWINGS (AND THE DATA SHOWN THEREON) IS CONFIDENTIAL AND PROPRIETARY AND SHALL NOT BE USED, DISCLOSED TO OTHERS, REPRODUCED FOR ANY PURPOSE EXCEPT FOR QUOTATION TO OR ORDER BY MOELLER MARINE PRODUCTS, INC. AND/OR ITS SUBSIDIARIES WITHOUT THEIR WRITTEN CONSENT TO THE USE OF SUCH DRAWINGS AND/OR DATA.

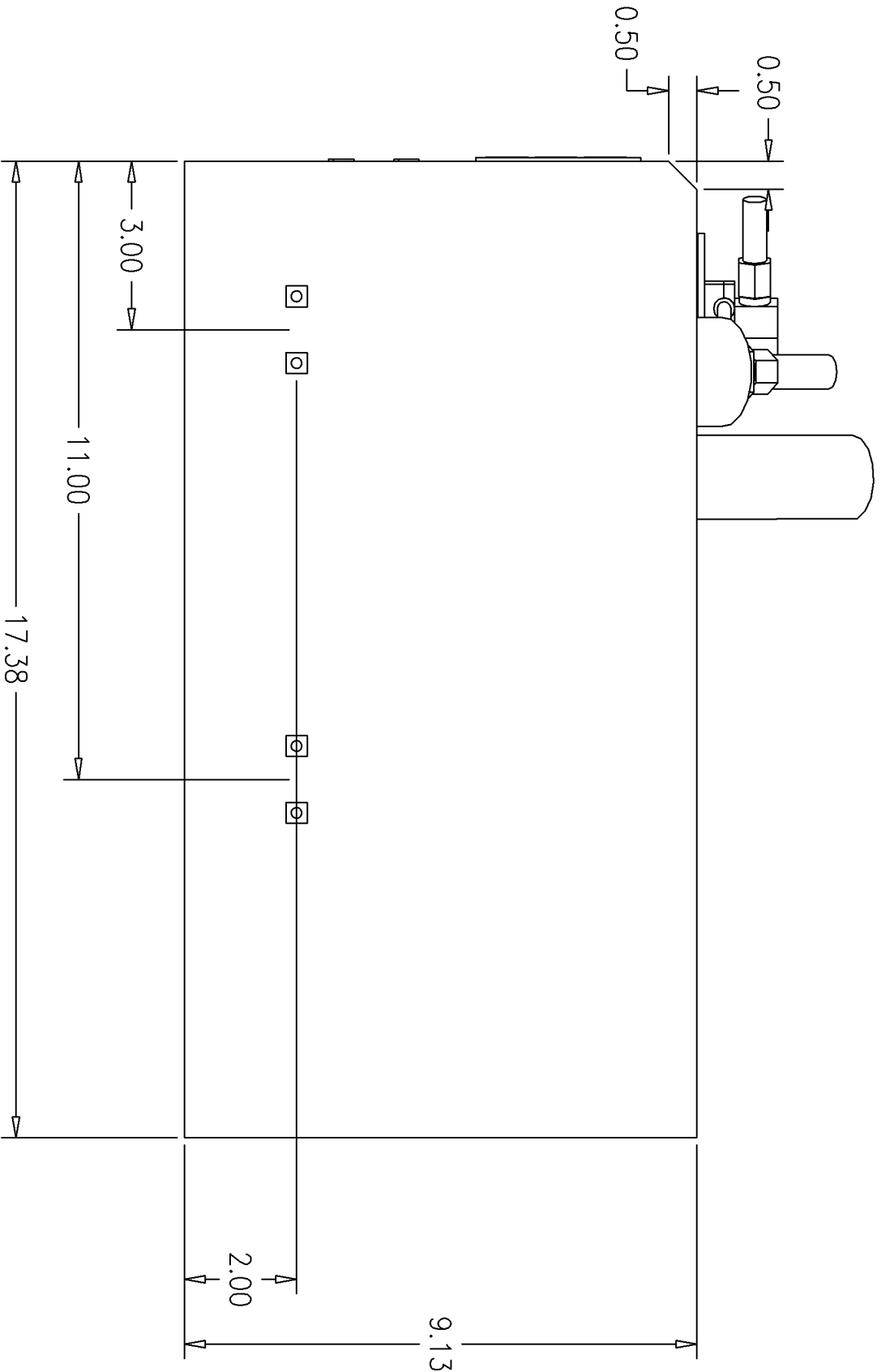


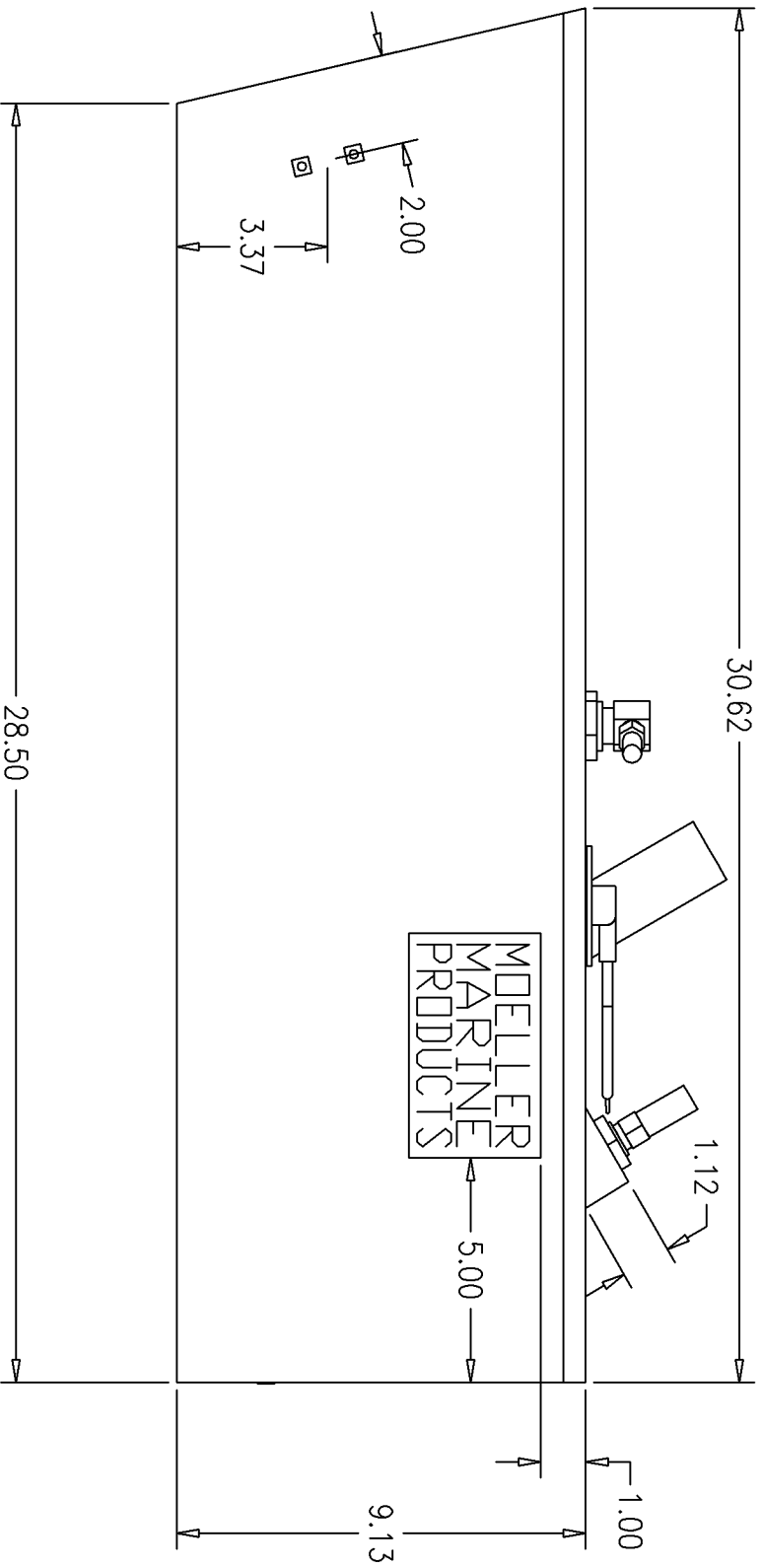
DESCRIPTION	18 GALLON FUEL TANK	
PART #	FT1844	COLOR NATURAL
MATERIAL	CROSSLINK POLYETHYLENE	
TOLERANCES	±1.5% UNLESS OTHERWISE NOTED	
WALL THK.	0.200" NOMINAL	DATE 3/30/04
DRAWN BY	MOELLER ENGINEERING	





NOTE: FILL AND VENT ARE ANGLE 60° FROM HORIZONTAL.
 FILL IS $\phi 1.50$ AND 2.75 LONG ON SHORT SIDE.





NOTE: FILL AND VENT ARE ANGLE 60° FROM HORIZONTAL.
 FILL IS Ø1.50 AND 2.75 LONG ON SHORT SIDE.