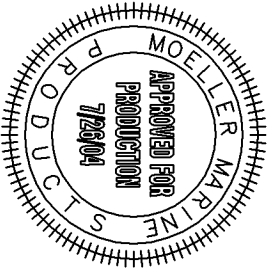
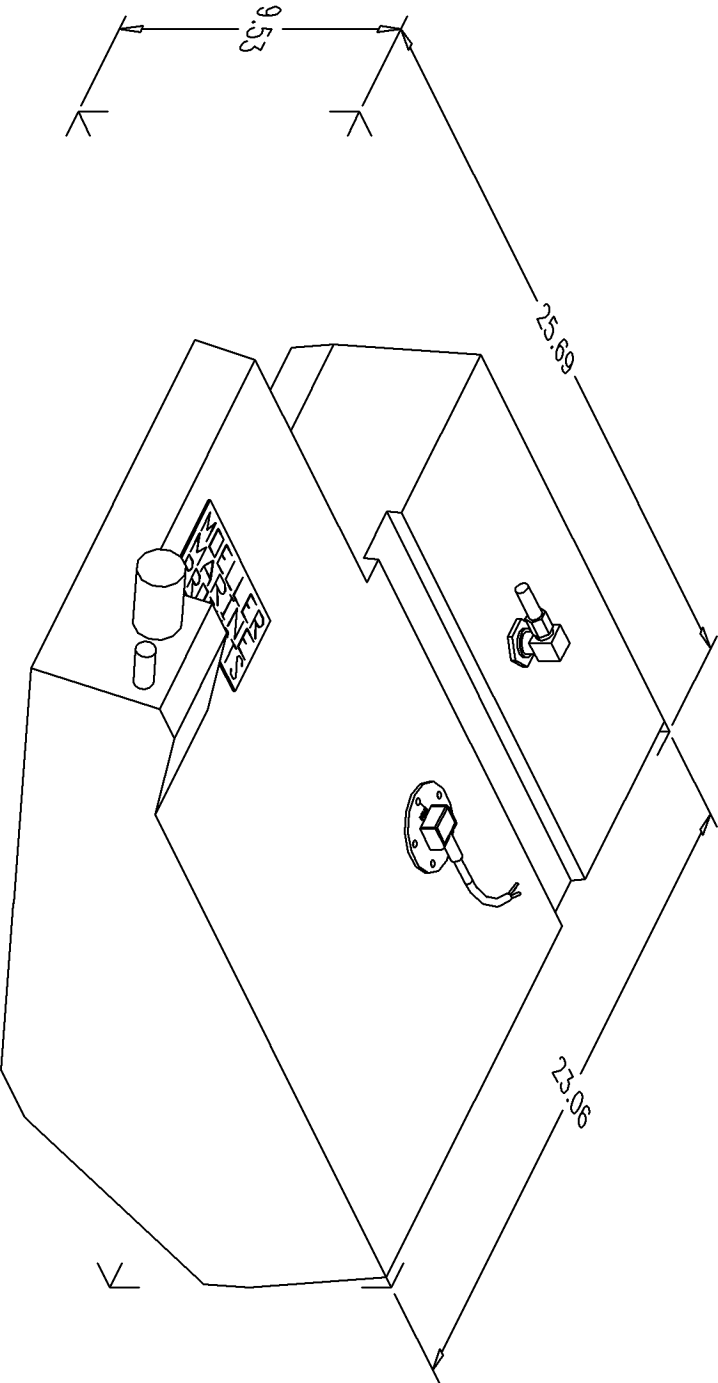


BILL of MATERIALS	
Qty.	DESCRIPTION
1	9.00" SS WEMA SENDER
1	PICKUP W/ 3/8 ASV CALIBRATED TO 15"
	MOLDED FILL & VENT
	OVERALL HEIGHT 11.48"

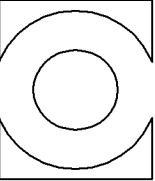
NO.	REVISION	DATE
1	ADD 0.50 DEEP RECESS	6/23/00
2	REPLACE WEMA WITH SS WEMA	11/20/02

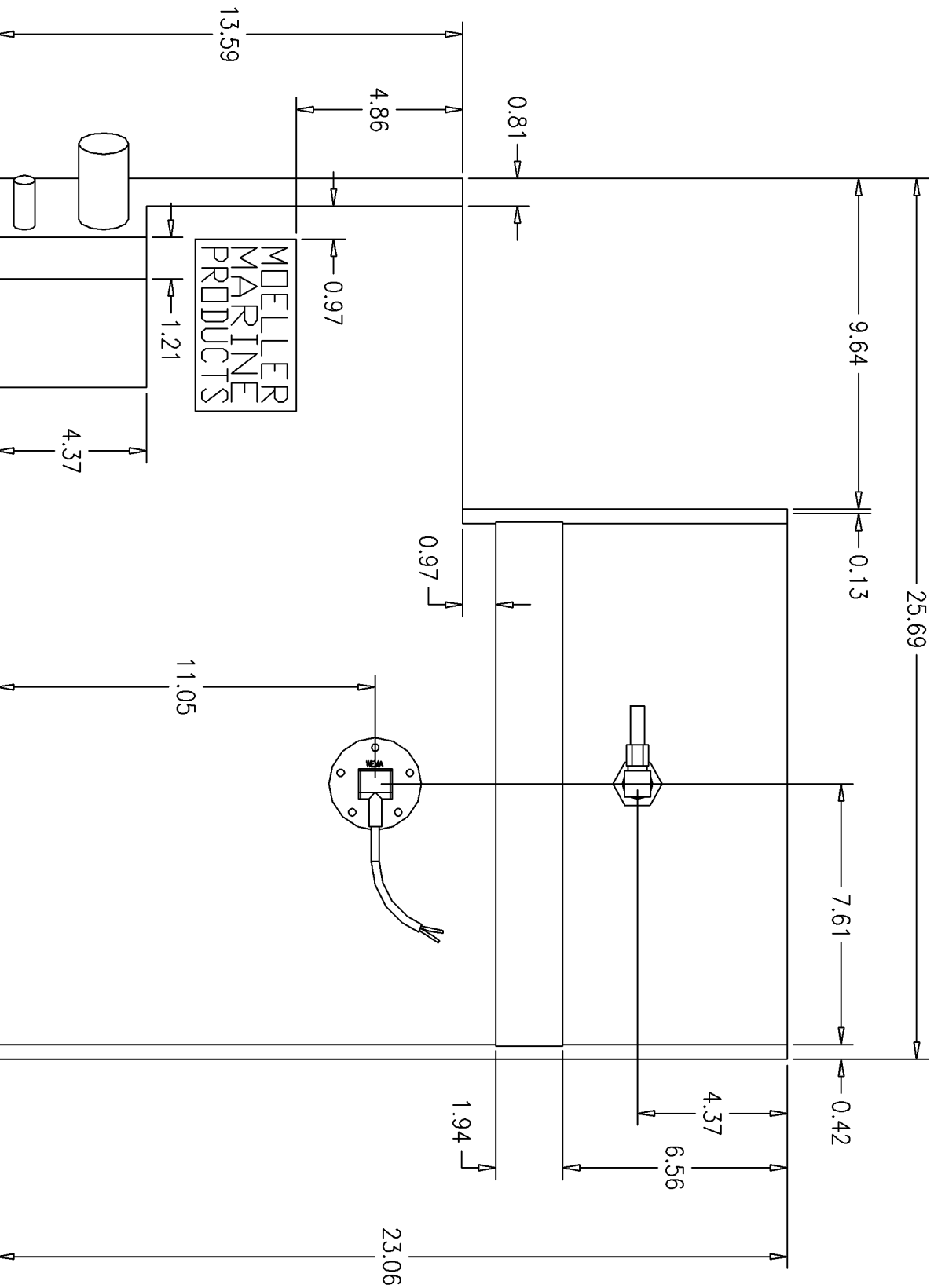


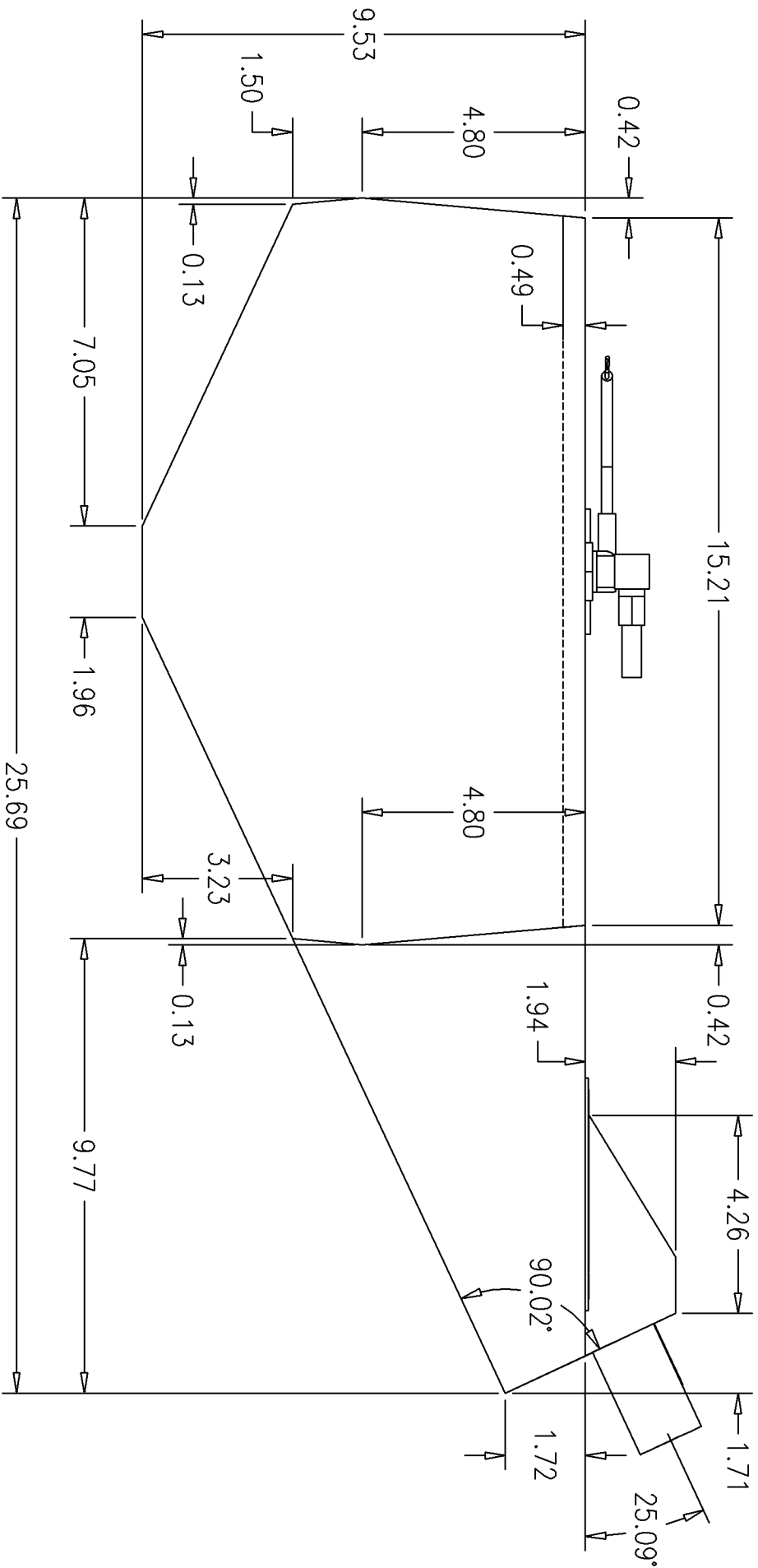
NOTE: ALL EDGES R0.38  
UNLESS OTHERWISE NOTED

PAGE 1 OF 4

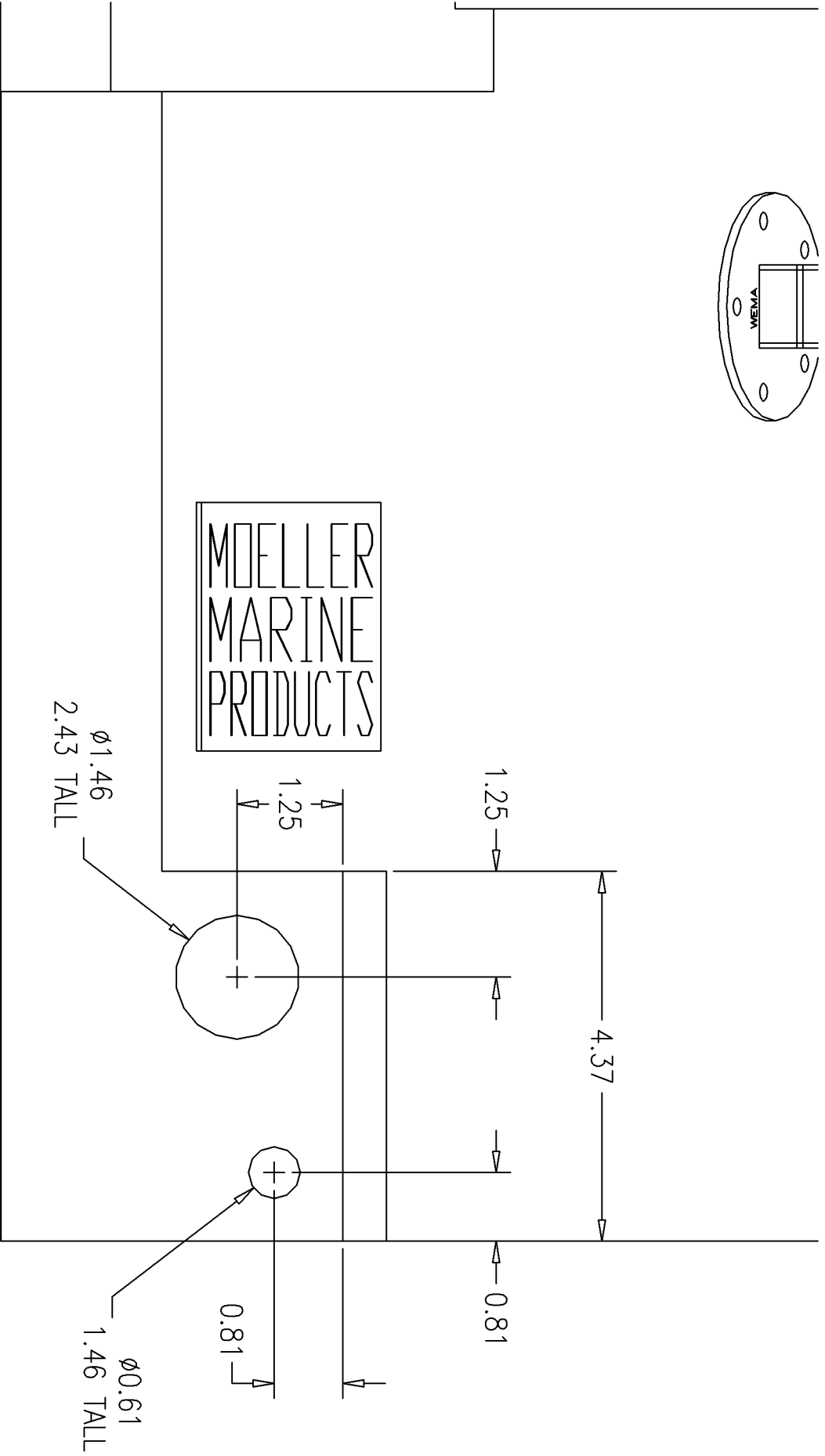
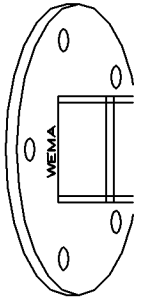
THIS DRAWING AND THE ATTACHED DRAWINGS (AND THE DATA SHOWN THEREON) IS CONFIDENTIAL AND PROPRIETARY AND SHALL NOT BE USED, DISCLOSED TO OTHERS, REPRODUCED FOR ANY PURPOSE EXCEPT FOR QUOTATION TO OR ORDER BY MOELLER MARINE PRODUCTS, INC. AND/OR ITS SUBSIDIARIES WITHOUT THEIR WRITTEN CONSENT TO THE USE OF SUCH DRAWINGS AND/OR DATA.

		DESCRIPTION	14 GALLON FUEL TANK
		PART #	FT1413
MATERIAL	CROSSLINK POLYETHYLENE	COLOR	NATURAL
TOLERANCES	±1.5% UNLESS OTHERWISE NOTED		
WALL THK.	0.200" NOMINAL	DATE	7/23/04
DRAWN BY	MOELLER ENGINEERING		





NOTE: FILL IS Ø1.46 AND 2.43 LONG.  
 VENT IS Ø0.61 AND 1.47 LONG.



AUXILIARY VIEW  
7/23/04