

# BILL of MATERIALS

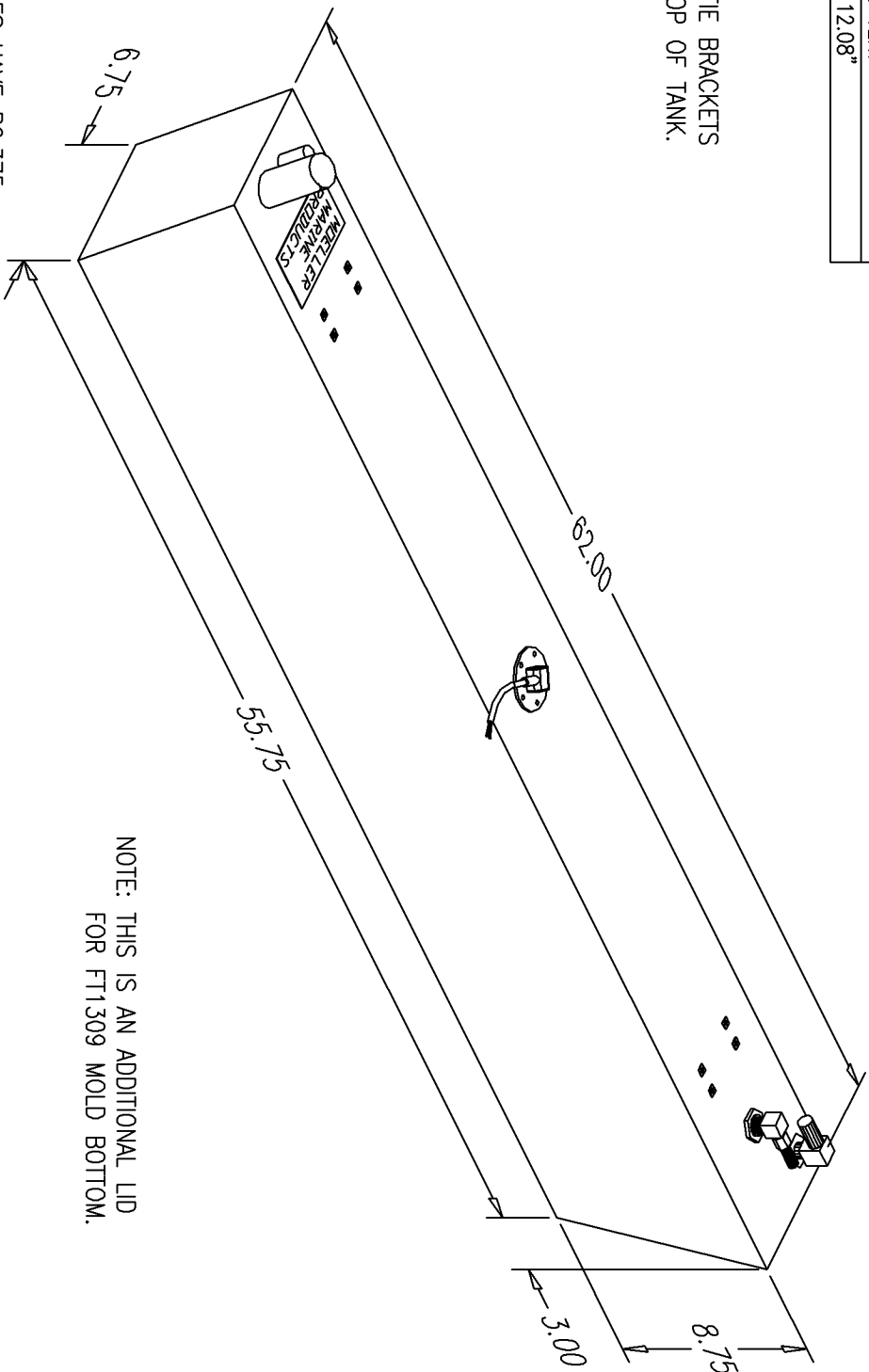
Qty.	DESCRIPTION
1	7.50" SS WEMA SENDER
1	36" FLEXIBLE PICKUP W/ 3/8" ASV
1	VENT W/ 5/8 BARB
4	SMALL L-BRACKETS W/ INSERTS (ZIP TIED)
	MOLED FILL AND VENT
	OVERALL HEIGHT 12.08"

NO.

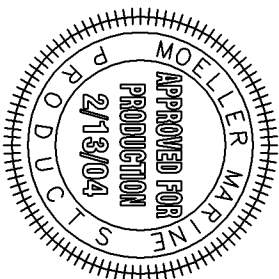
REVISION

DATE

NOTE: ZIP TIE BRACKETS TO TOP OF TANK.



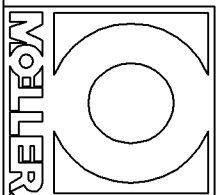
NOTE: THIS IS AN ADDITIONAL LID FOR FT1309 MOLD BOTTOM.



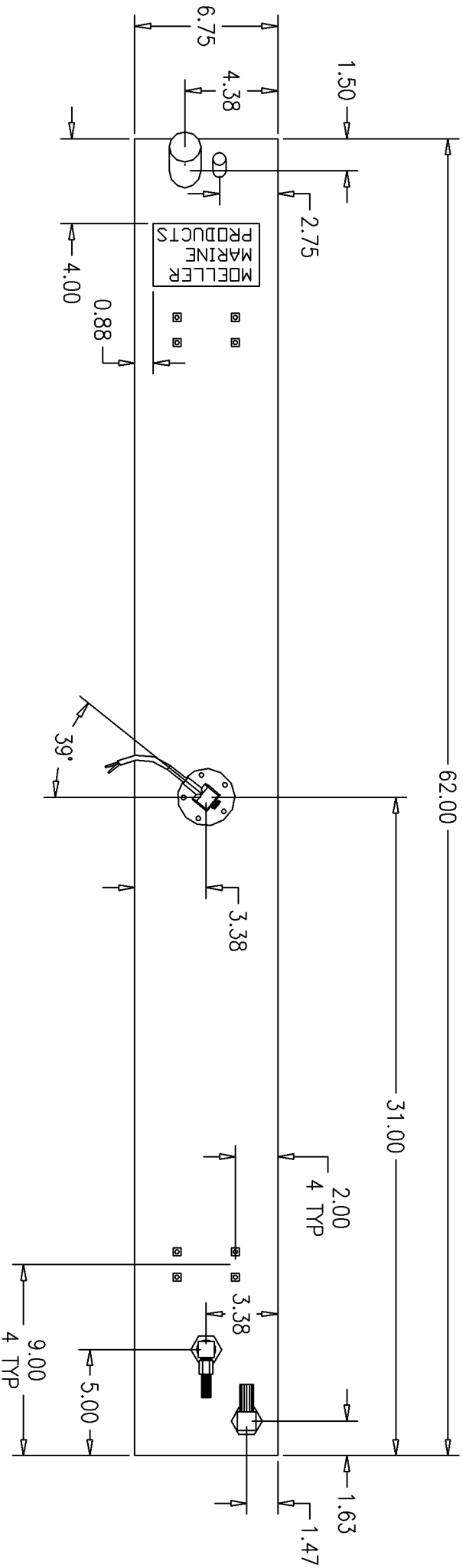
NOTE: ALL EDGES HAVE R0.375 UNLESS OTHERWISE NOTED

PAGE 1 OF 2

THIS DRAWING AND THE ATTACHED DRAWINGS (AND THE DATA SHOWN THEREON) IS CONFIDENTIAL AND PROPRIETARY AND SHALL NOT BE USED, DISCLOSED TO OTHERS, REPRODUCED FOR ANY PURPOSE EXCEPT FOR QUOTATION TO OR ORDER BY MOELLER MARINE PRODUCTS, INC. AND/OR ITS SUBSIDIARIES WITHOUT THEIR WRITTEN CONSENT TO THE USE OF SUCH DRAWINGS AND/OR DATA.



DESCRIPTION	13 GALLON FUEL TANK		
PART #	FT1319	COLOR	NATURAL
MATERIAL	CROSSLINK POLYETHYLENE		
TOLERANCES	±1.5% UNLESS OTHERWISE NOTED		
WALL THK.	0.200"	DATE	2/10/04
DRAWN BY	MOELLER ENGINEERING		



NOTE: FILL AND VENT ARE ANGLED 20° FROM VERTICAL