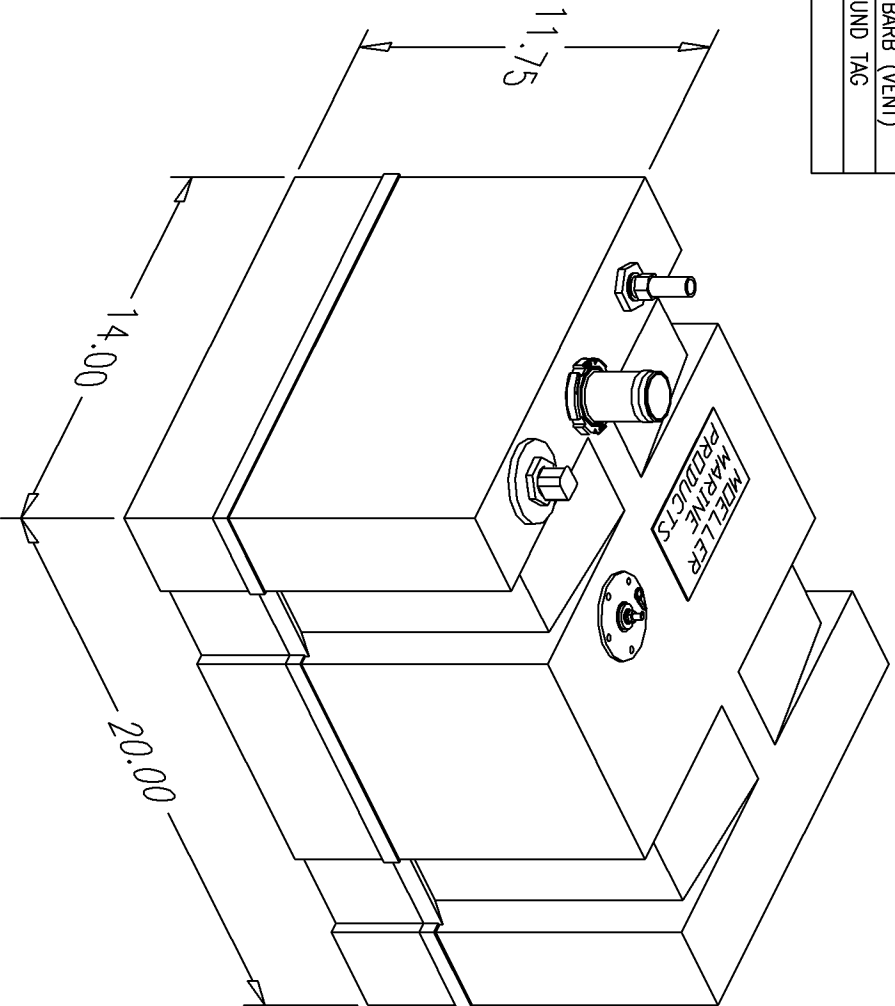


BILL of MATERIALS

Qty.	DESCRIPTION
1	PRIME SENDING UNIT 10.85"
1	ALUM. PL3 PICKUP W/O BARB
4	HOOK POCKETS W/ OUT BRACKETS
1	3/8 NPT INSERT W/ 5/8 BARB (VENT)
1	Ø1.50 ALUM. FILL W/ GROUND TAG
	OVERALL HEIGHT 14.25"

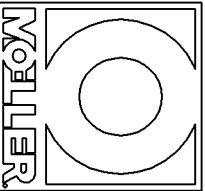


NOTE: ALL EDGES HAVE R0.375
UNLESS OTHERWISE NOTED

PAGE 1 OF 3

THIS DRAWING AND THE ATTACHED DRAWINGS (AND THE DATA SHOWN THEREON) IS CONFIDENTIAL AND PROPRIETARY AND SHALL NOT BE USED, DISCLOSED TO OTHERS, REPRODUCED FOR ANY PURPOSE EXCEPT FOR QUOTATION TO OR ORDER BY MOELLER MARINE PRODUCTS, INC. AND/OR ITS SUBSIDIARIES WITHOUT THEIR WRITTEN CONSENT TO THE USE OF SUCH DRAWINGS AND/OR DATA.

NO.	REVISION	DATE
-----	----------	------



DESCRIPTION	12 GALLON FUEL TANK (032612)		
PART #	FT1294-1	COLOR	NATURAL
MATERIAL	CROSSLINK POLYETHYLENE		
TOLERANCES	±1.5% UNLESS OTHERWISE NOTED		
WALL THK.	0.200"		
DRAWN BY	MOELLER ENGINEERING		
	DATE	9/13/06	

